

Söll GlideLoc® Steel/Stainless Steel Ladders

- Vertical fall protection system
- Certified according to EN 353-1: 00 and CNB/P/11.073



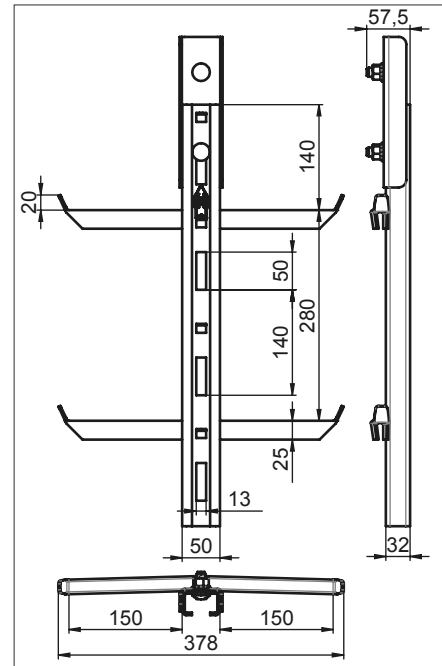
Söll GlideLoc® Steel/stainless steel ladders

Y-spar

- Profile 50 x 3 mm
- With connector
- Mounting distance: recommended 1,400 mm - max. 1,680 mm
- Max. section length 4,480 mm
- Rung distance 80 mm
- Step width per side 150 mm

Material: Steel, hot-dip galvanised
Weight: Approx. 5.5 kg/m
Part no. **YST<ladder length in mm>**

Material: Stainless steel, pickled
Weight: Approx. 5.0 kg/m
Part no. **YA4<ladder length in mm>**

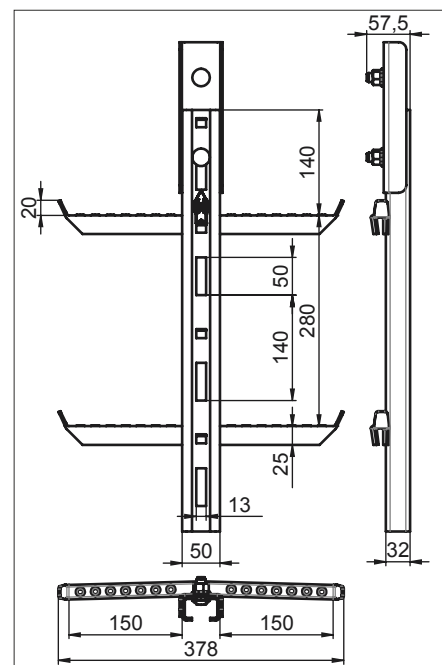


Y-spar with perforated rungs

- Profile 50 x 3 mm
- With connector
- With perforated rungs
- For use in manholes, for example
- Mounting distance: recommended 1,400 mm - max. 1,680 mm
- Max. section length 4,480 mm
- Rung distance 80 mm
- Step width per side 150 mm

Material: Steel, hot-dip galvanised
Weight: Approx. 5.5 kg/m
Part no. **YST<ladder length in mm>L**

Material: Stainless steel, pickled
Weight: Approx. 5.0 kg/m
Part no. **YA4<ladder length in mm>L**



Söll GlideLoc® Steel/stainless steel ladders

Twin ladder for chimneys

- Profile 50 x 3 mm
- With connector
- Mounting distance: max. 1,950 mm
- Max. section length 3,000 mm
- Rung distance 300 mm
- Step width per side 150 mm

Material: Steel, hot-dip galvanised

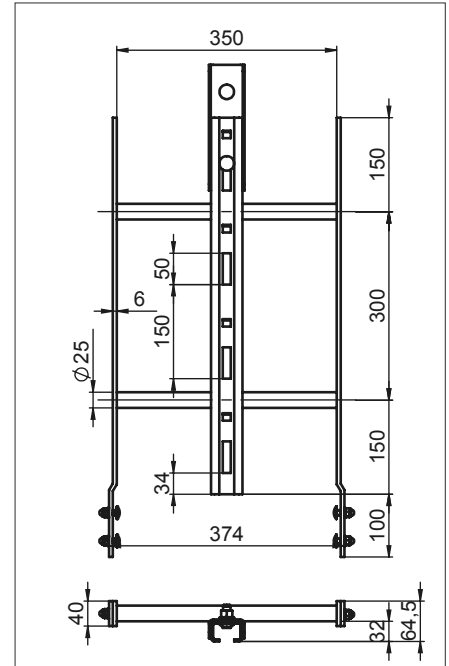
Weight: 9.0 kg/m

Part no. **ZST**<ladder length in mm>

Material: Stainless steel, pickled

Weight: 9.0 kg/m

Part no. **ZA4**<ladder length in mm>

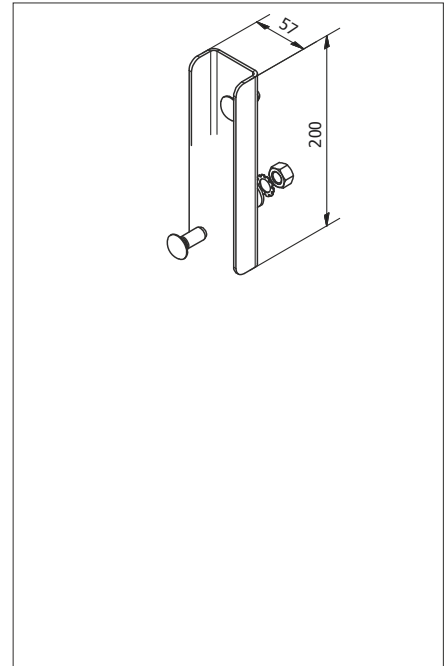


Söll GlideLoc® Steel/stainless steel ladders

Connector

- To connect Y-spar ladders
- Complete with all mounting elements
- Included in the delivery of each Y-spar ladder
- Must be used when an existing Y-spar ladder is cut and reconnected

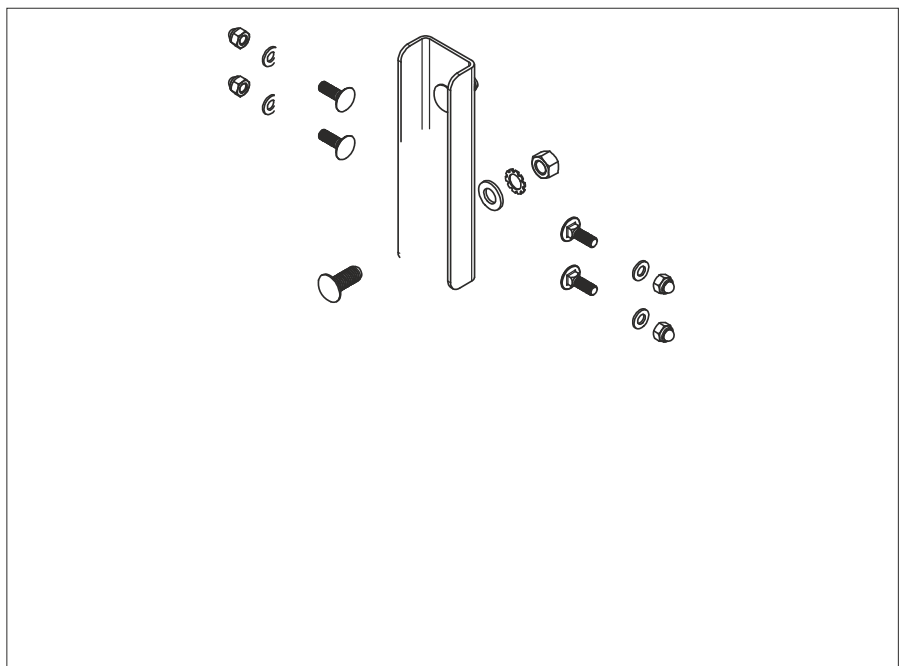
Material: Steel,
hot-dip galvanised
Weight: 0.6 kg/each
Part no. **17370**



Set of connectors

- To connect twin ladders
- Complete with all mounting elements
- Included in the delivery of each twin ladder
- Must be used when an existing twin ladder is cut and reconnected

Material: Steel,
hot-dip galvanised
Weight: 0.7 kg/each
Part no. **21903**

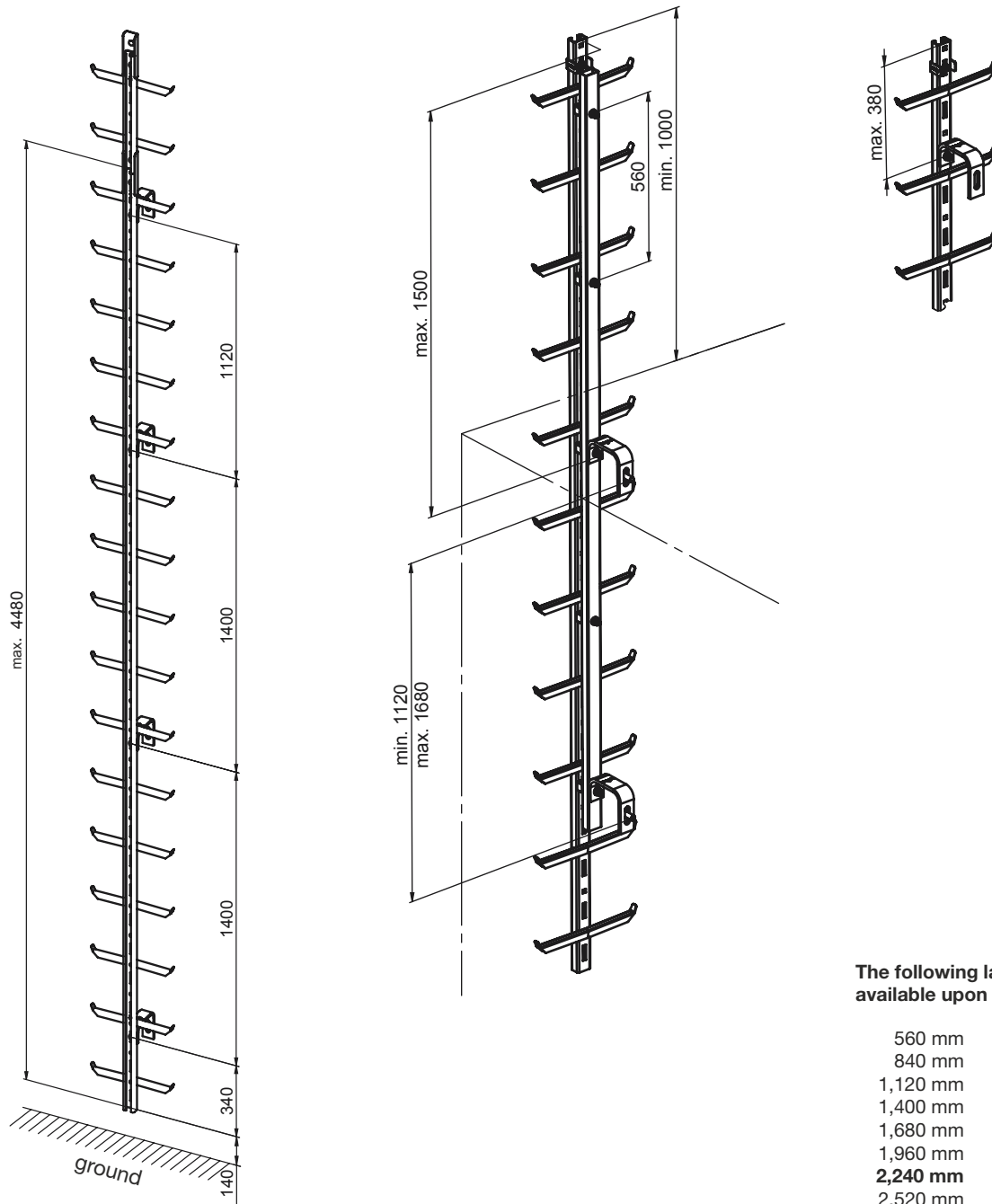


Fixing points for Y-spar made of steel/stainless steel. Using a recommended mounting distance between brackets of 1,400 mm up to max. 1,680 mm. Mounting only possible at the rectangular cut-out.

End of ladder run

With reinforcement

Without reinforcement



The following ladder lengths are available upon request:

560 mm	2,800 mm
840 mm	3,080 mm
1,120 mm	3,360 mm
1,400 mm	3,640 mm
1,680 mm	3,920 mm
1,960 mm	4,200 mm
2,240 mm	4,480 mm
2,520 mm	

Note:

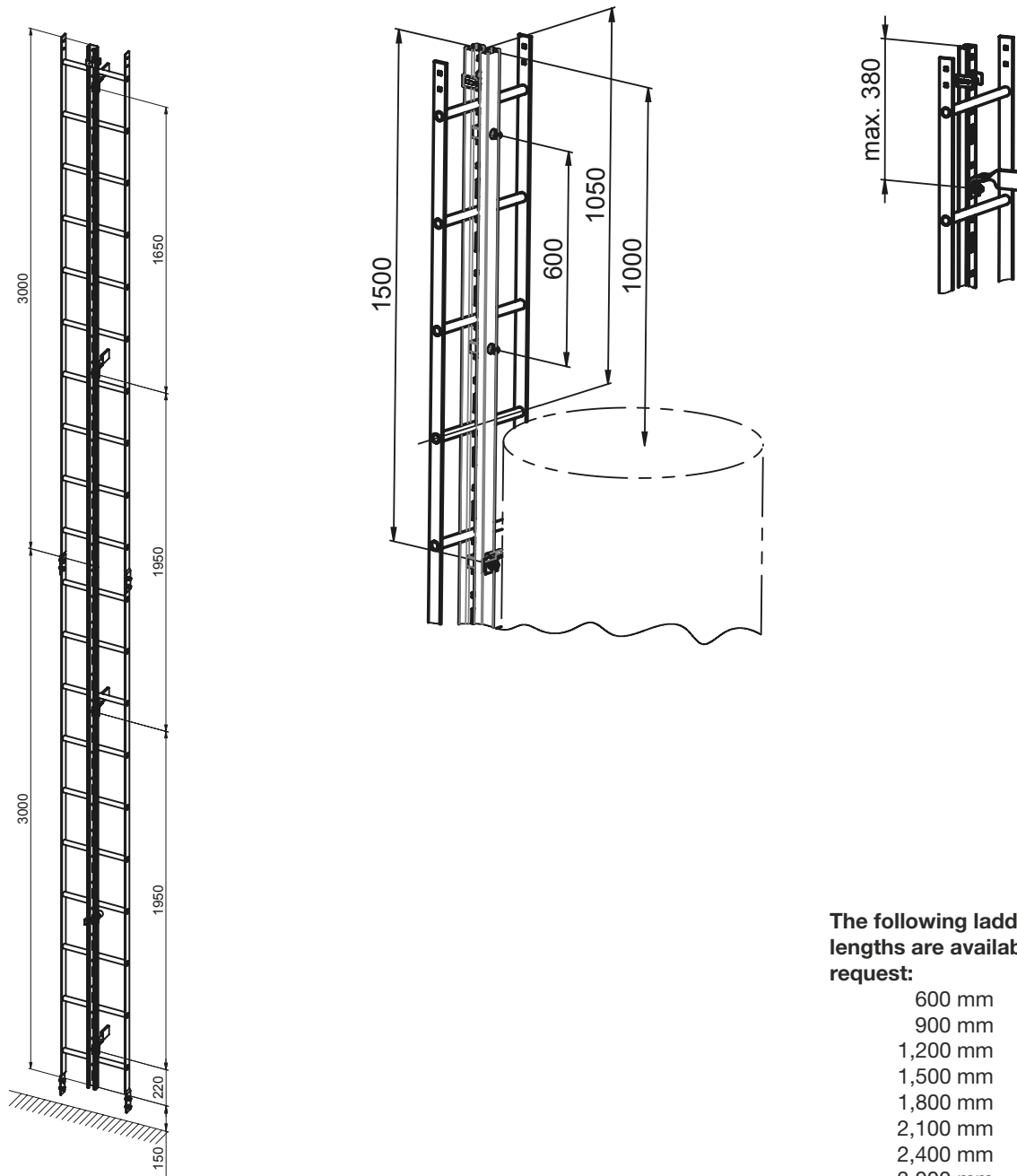
For design reasons, the guide rail of the ladder must be reinforced if, at the end of the ladder run, the guide rail rises more than 380 mm above the last mounting bracket. **Projections of more than 380 mm without extra reinforcement are not permitted.** The guide rail reinforcement 50 x 30 x 3 is bolted onto the guide rail from the back at a distance of 560 mm and must extend down over at least two mounting brackets. It must not extend beyond a ladder joint.

Fixing points on twin ladder for chimneys. Max. mounting distance between brackets 1,950 mm. Mounting only possible at the rectangular cut-out.

End of ladder run

With reinforcement

Without reinforcement



The following ladder lengths are available upon request:

- 600 mm
- 900 mm
- 1,200 mm
- 1,500 mm
- 1,800 mm
- 2,100 mm
- 2,400 mm
- 3,000 mm

Note:

For design reasons, the guide rail of the ladder must be reinforced if, at the end of the ladder run, the guide rail rises more than 380 mm above the last mounting bracket. **Projections of more than 380 mm without extra reinforcement are not permitted.** The guide rail reinforcement 50 x 30 x 3 is bolted onto the guide rail from the back at a distance of 600 mm and must extend down over at least two mounting brackets.

Bending of steel ladders

Required information for planning:

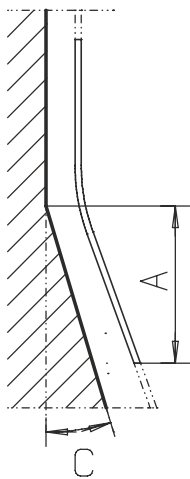
Bending Y-spar, hot-dip galvanised steel
Bending Y-spar, stainless steel, pickled

Part no.
Part no.

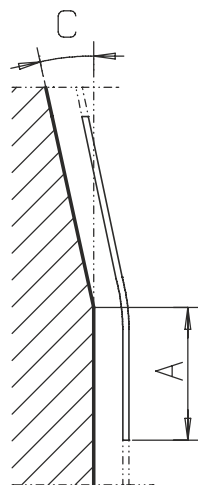
YST-<type>
YA4-<type>

Length of ladder section to be bent.

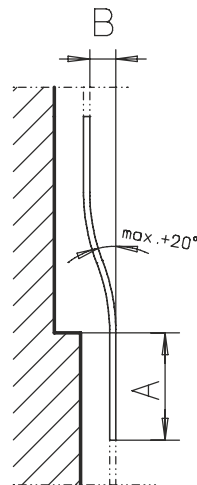
Type 1



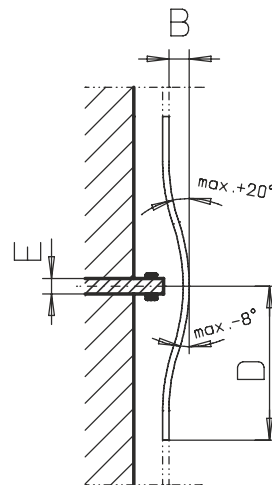
Type 2



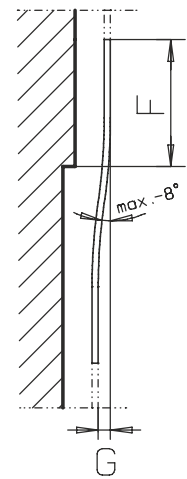
Type 3



Type 4



Type 5



A = Bottom edge of ladder to salient point of structure (mm)

B = Offset (mm)

C = Angle (max. 15°)

D = Bottom edge to centre of obstruction (mm)

E = Width of obstruction (mm)

F = Upper edge of ladder to offset (mm)

G = Offset (max. 260 mm)

NB:

The smallest bending radius for steel ladders is 1,000 mm

The extent of the bending depends on the bending radius and angle (type 1 + 2) or offset (type 3 - 5).

The surcharge for bending is calculated by bending type and offset.

Söll GlideLoc®

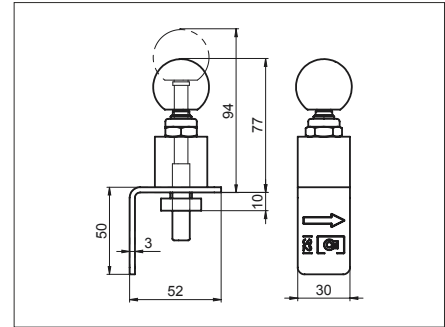
Steel/stainless steel ladders

End-stops

End-stop, top/bottom

- Prevents the fall arrester from either being inserted incorrectly or accidentally slipping out of the guide rail
- Complete with all mounting elements

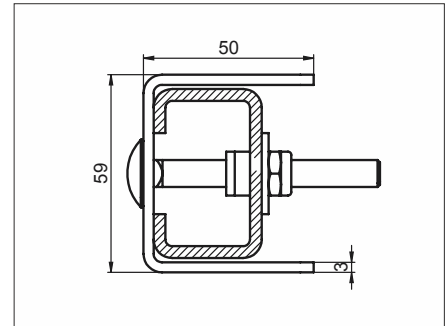
Material: Stainless steel, pickled
Weight: 0.3 kg/each
Part no. **26027**



Rigid end-stop

- Prevents the fall arrester from being taken out of the guide rail
- Complete with all mounting elements

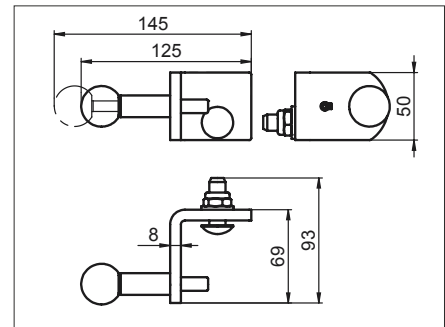
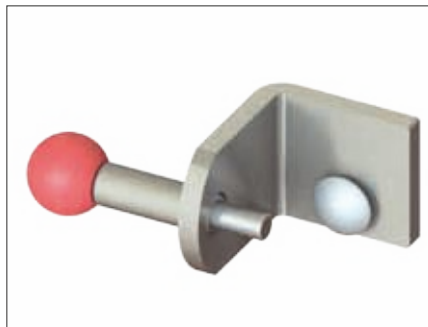
Material: Stainless steel, pickled
Weight: 0.2 kg/each
Part no. **11634**



End-stop, top/bottom side

- Prevents the fall arrester from either being inserted incorrectly or accidentally slipping out of the guide rail
- Complete with all mounting elements
- Used for:
 - Ladder projection < 150 mm
 - Mounting with reinforcement
 - Suitable for top and bottom use

Material: Stainless steel, pickled
Weight: 0.2 kg/each
Part no. **27136**



Söll GlideLoc®

Steel/stainless steel ladders

Mounting elements

Bracket

- Complete with all ladder mounting elements
- Wall attachment must be drilled to suit site conditions. Minimum bolt diameter M16
- Projection in 5 mm increments from 70 mm to max. 280 mm available
- Variable mounting distance possible by moving and turning the bracket as required

Material: Steel, hot-dip galvanised

Weight: Depends on projection

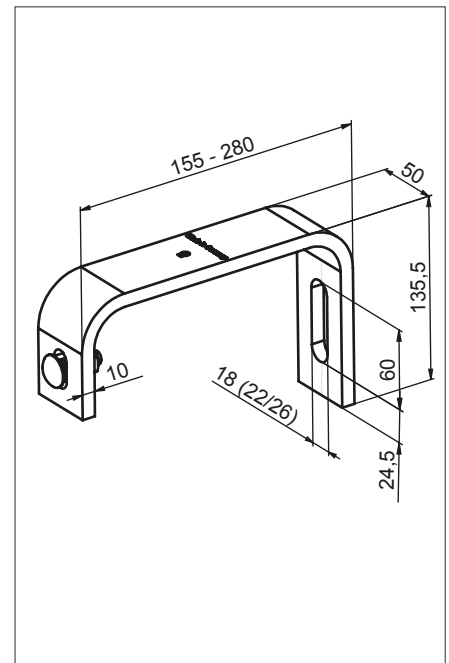
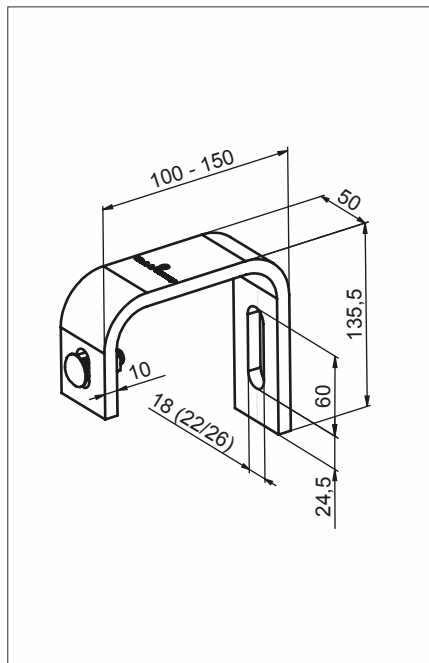
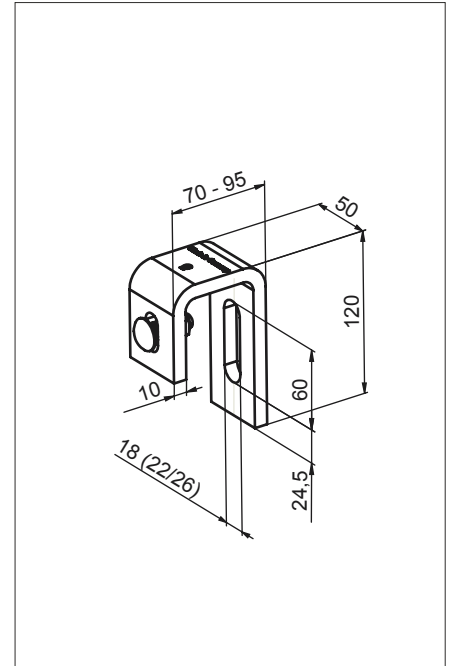
Part no. **BB-SSTR-**
<projection in mm>

Material: Stainless steel, pickled

Weight: Depends on projection

Part no. **BB-SA4R-**
<projection in mm>

Special projections (e.g. 163 mm) are achieved using washers



Söll GlideLoc®

Steel/stainless steel ladders

Mounting elements

Clamp

- Projection up to 1,000 mm possible
- Complete with all mounting elements
- Please indicate the exact mast diameter 'D' and projection 'L' when placing the order
- Material thickness 'z' of clamp halves:
 - Up to Ø 10 mm 'z' = 6 mm
 - From Ø 0 mm 'z' = 8 mm
- Mast diameter:
 - Min. 60 mm
 - Max. 1,500 mm

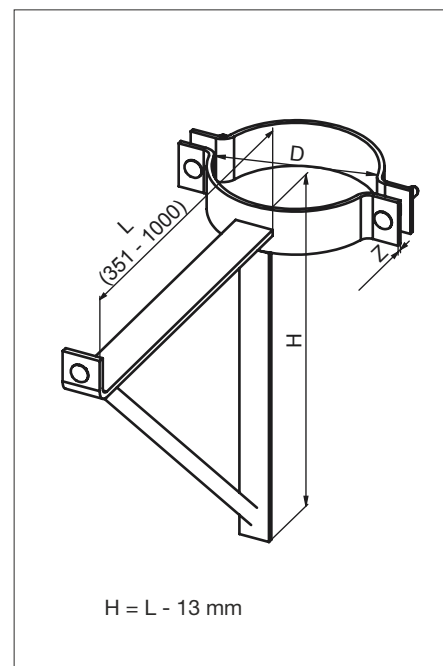
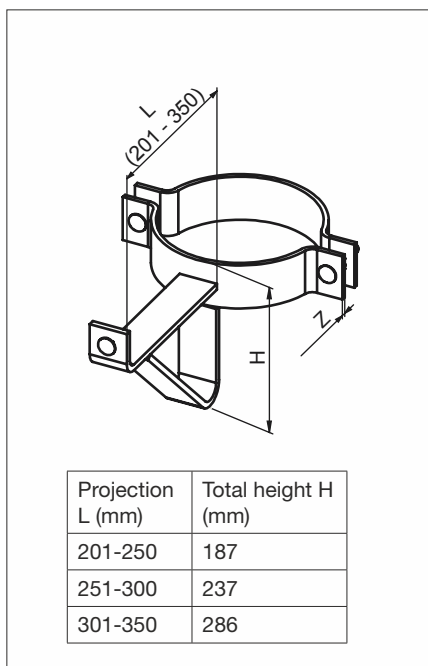
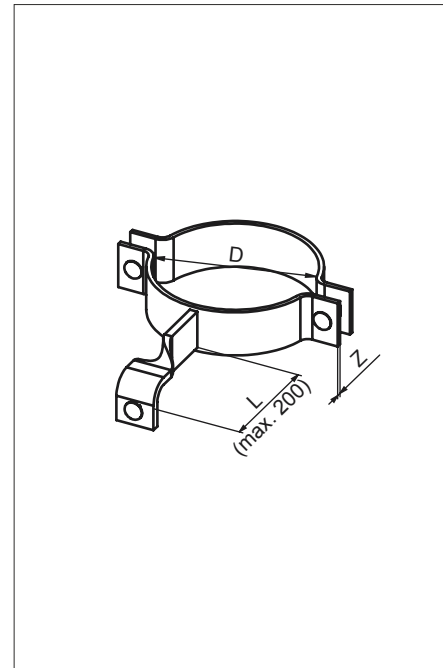
Weight: Depends on mast diameter and projection

Material: Steel, hot-dip galvanised

Part no. **BS-STR- $\langle\text{Ø in mm}\rangle$**

Material: Stainless steel, pickled

Part no. **BS-A4R- $\langle\text{Ø in mm}\rangle$**



Note:

Projection 'L' depends on the type of bracket.

Söll GlideLoc®

Steel/stainless steel ladders

Mounting elements

Angle corner mounting bracket

- For use on corner struts of lattice masts with angle profile
- Complete with all mounting elements
- Support structure must be checked to ensure sufficient strength

Material: Steel,
hot-dip galvanised

For use on corner struts with angle profile up to 100 x 100

Weight: 2.1 kg/each

Part no. 11025

For use on corner struts with angle profile from 110 x 110 to 140 x 140

Weight: 2.4 kg/each

Part no. 14696

For use on corner struts with angle profile from 150 x 150 to 180 x 180

Weight: 2.5 kg/each

Part no. 14698

For use on corner struts with angle profile from 190 x 190 to 220 x 220

Weight: 2.8 kg/each

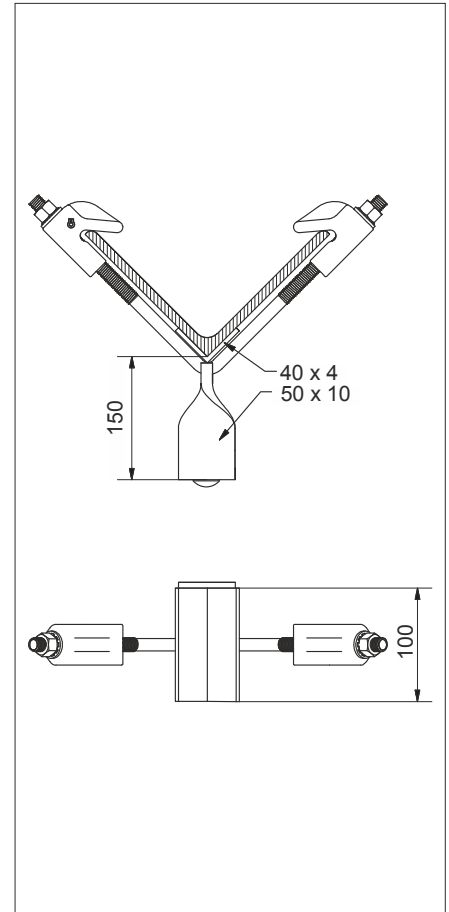
Part no. 14699

For use on corner struts with angle profile from 230 x 230 to 260 x 260

Weight: 2.9 kg/each

Part no. 14700

Angle corner mounting bracket with cable holder available upon request



Clamp for round rungs

- For retrofitting safety ladders to support structures made of round tube steel
- Complete with all mounting elements
- Support structure must be checked to ensure sufficient strength

Material: Steel,
hot-dip galvanised

Weight: 1.7 kg/each

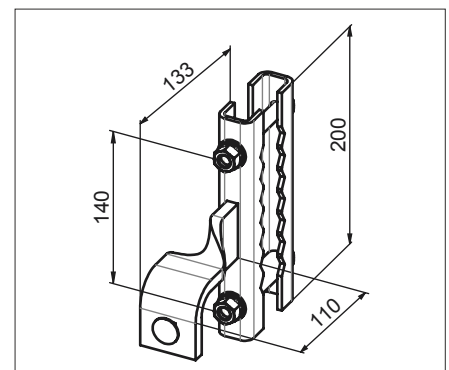
Part no. 11222

Material: Stainless steel,
pickled

Weight: 1.5 kg/each

Part no. 16601

Other projections available upon request



Note:

Projection 'L' depends on the type of bracket.

Söll GlideLoc®

Steel/stainless steel ladders

Mounting elements

Clamp for square rungs

- For retrofitting safety ladders to support structures made of angle steel, U and hollow profiles
- Complete with all mounting elements
- Support structure must be checked to ensure sufficient strength

Material: Steel,
hot-dip galvanised

Weight: 1.8 kg/each

Part no. **24462**

Stainless steel available upon request

Other projections available upon request

Bracket

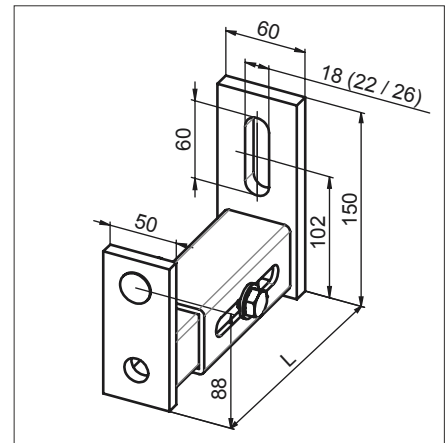
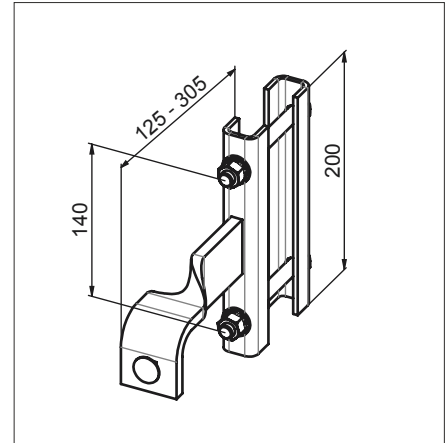
- With adjustable projection
- Complete with all ladder mounting elements
- Wall attachment must be drilled to suit site conditions. Minimum bolt diameter M16

Material: Steel,
hot-dip galvanised

Weight: See table

Part no. **See table**

Stainless steel available upon request



Pro- jection (mm)	Bolt diame- ter of structure	Weight (kg/each)	Part no.
150 - 225	M16	2.5	15479
150 - 225	M24	2.5	24831
226 - 300	M16	2.8	15489
301 - 375	M16	3.1	15491
376 - 450	M16	5.7	24259
451- 525	M16	6.1	24542
526 - 600	M16	9.7	24185

Söll GlideLoc®

Steel/stainless steel ladders

Mounting elements

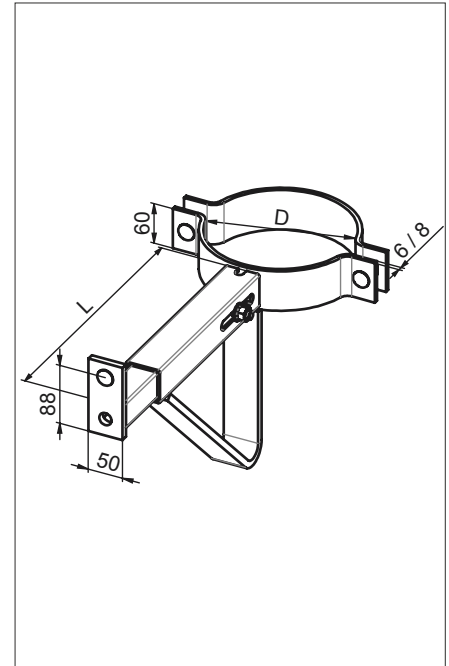
Clamp

- With adjustable projection
- Complete with all ladder mounting elements
- Please indicate the exact mast diameter and projection range when placing the order
- Mast diameter:
Min. 60 mm
Max. 1,500 mm
- Projection ranges:
L = 200 - 275 mm
L = 276 - 350 mm

Material: Steel, hot-dip galvanised
Weight: Depends on mast diameter and projection

Part no. **BS-VSTR-<Øinmm>**

Other projections available upon request



Note:

Projection 'L' depends on the type of bracket.

Söll GlideLoc®

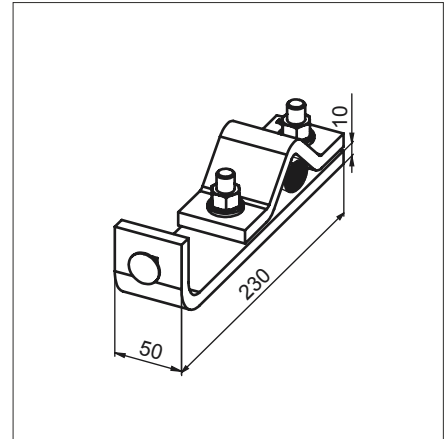
Steel/stainless steel ladders

Mounting elements

Bracket

- For use on tube structures of 20 - 70 mm diameter
- Complete with all mounting elements
- Support structure must be checked to ensure sufficient strength
- Please indicate the exact diameter

Material: Steel, hot-dip galvanised
Weight: 1.9 kg/each
Part no. **12709**



Weld-on bracket

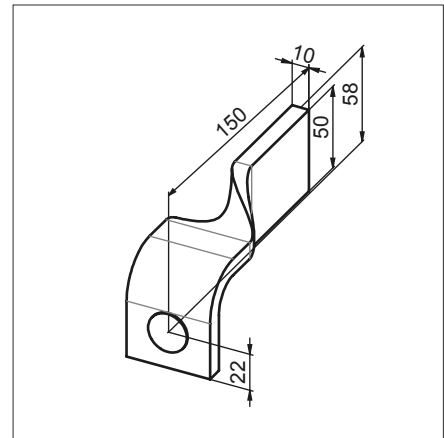
- To be welded on site
- Projection 150 mm
- Complete with all mounting elements
- Ensure structure is suitable for welding

Weight: 0.8 kg/each

Material: Raw steel
Part no. **12732**

Material: Steel, hot-dip galvanised
Part no. **16629**

Material: Stainless steel, pickled
Part no. **16596**

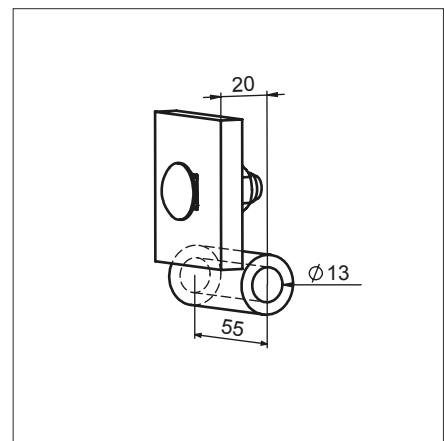


Projection up to 280 mm possible

Adapter

- To connect mounting clamp BS-STS, BS-VSTS/mounting bracket BB-STS, BB-VSTS with steel ladder

Material: Steel, hot-dip galvanised
Weight: 0.4 kg/each
Part no. **18803**



Söll GlideLoc®

Steel/stainless steel ladders

Mounting elements

Mounting bracket with adapter

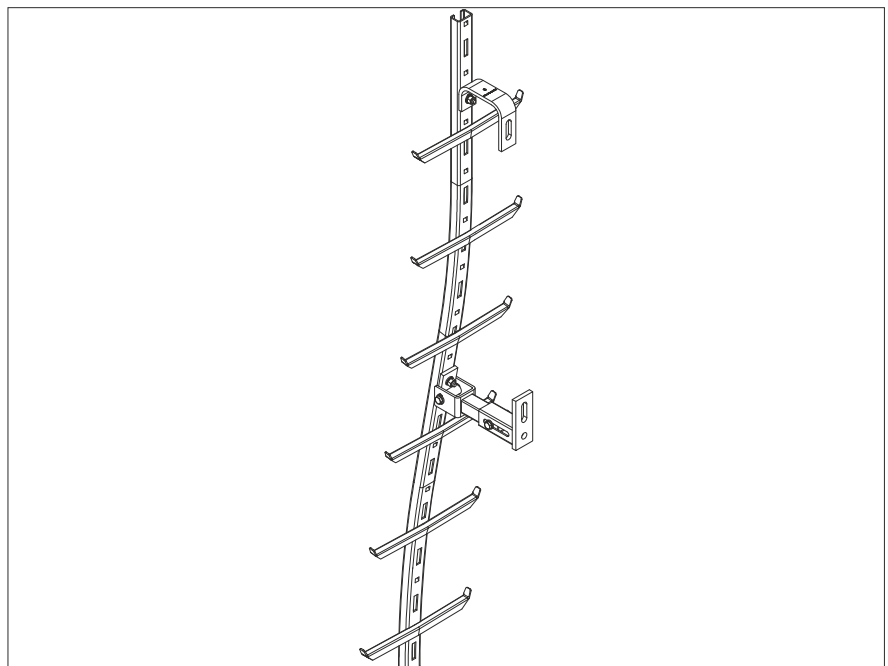
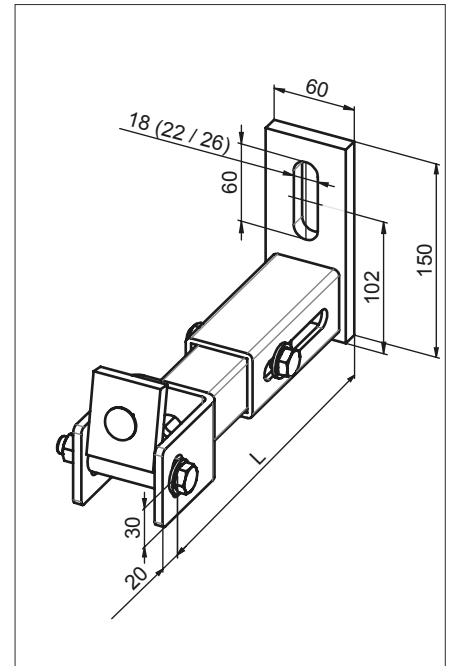
- With adjustable projection
- Used where ladder bends
- Complete with all ladder mounting elements
- Wall attachment must be drilled to suit site conditions. Minimum bolt diameter M16

Material: Steel, hot-dip galvanised
 Weight: See table
 Part no. **BB-VSTAD**<projection in mm> (see table)

Pro-jection (mm)	Bolt diameter of structure	Weight (kg/each)	Part no.
220 - 295	M16	2.7	19662
220 - 295	M24	2.7	26309
296 - 370	M16	3.0	19663
296 - 370	M24	3.0	26310
371 - 445	M16	3.9	19664
371 - 445	M24	3.9	26311

Larger projections available upon request

Installation example



Note:

Projection 'L' depends on the type of bracket.

Söll GlideLoc®

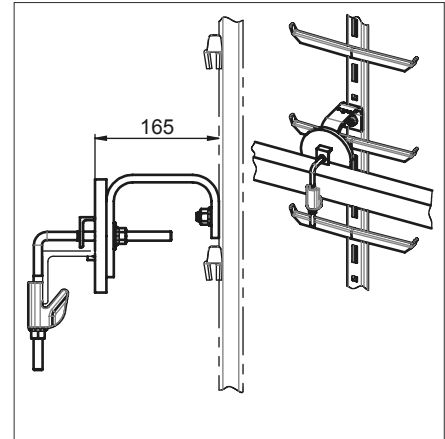
Steel/stainless steel ladders

Mounting elements

Mounting element

- For diagonal struts on lattice masts on the exterior of the corner strut
- Complete with all mounting elements
- Please indicate strut width

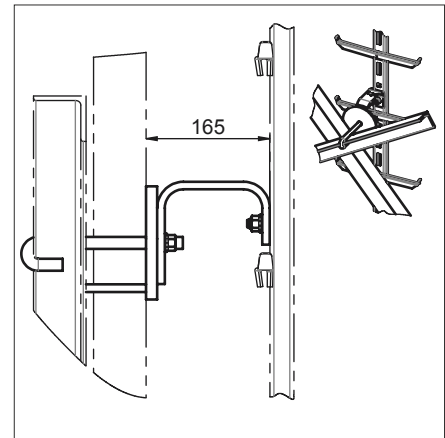
Material: Steel, hot-dip galvanised
Weight: Depends on size
Part no. **BB-DA**



Mounting element

- For crossings of diagonal struts on lattice masts
- Complete with all mounting elements
- Please indicate the strut width and any filler plate measurements

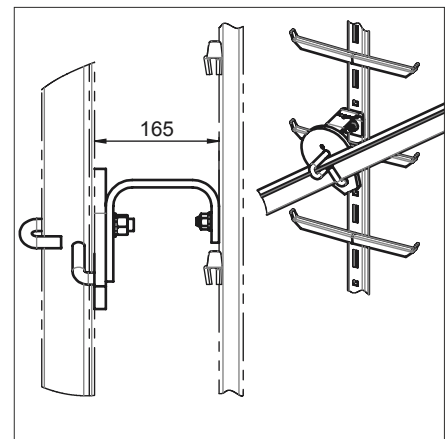
Material: Steel, hot-dip galvanised
Weight: Depends on size
Part no. **BB-DK**



Mounting element

- For diagonal struts on lattice masts on the interior of the corner strut
- Complete with all mounting elements
- Please indicate strut width

Material: Steel, hot-dip galvanised
Weight: Depends on size
Part no. **BB-DI**



Söll GlideLoc®

Steel/stainless steel ladders

Mounting elements

Bracket

- For use on brickwork
- Projection up to 1,000 mm possible
- Complete with all ladder mounting elements
- Please indicate projection 'L' when placing the order

Material: Steel, hot-dip galvanised

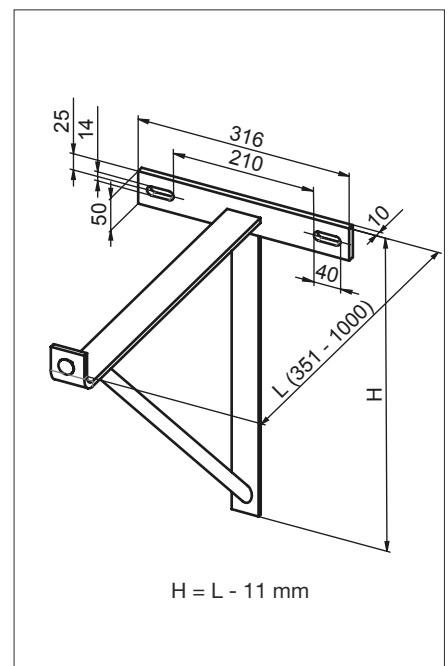
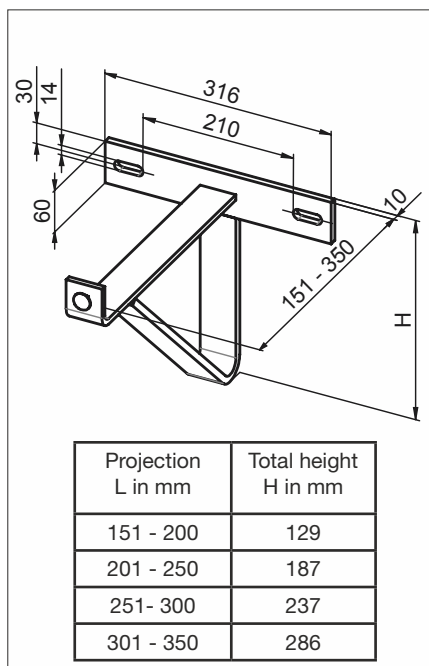
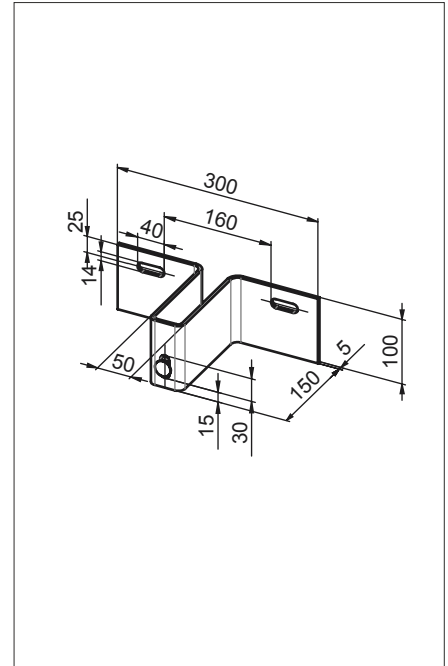
Weight: Depends on projection

Part no. **BB-MSTR-
<projection in mm>**

Material: Stainless steel, pickled

Weight: Depends on projection

Part no. **BB-MA4R-
<projection in mm>**



Note:

Projection 'L' depends on the type of bracket.

Söll GlideLoc®

Steel/stainless steel ladders

Mounting elements

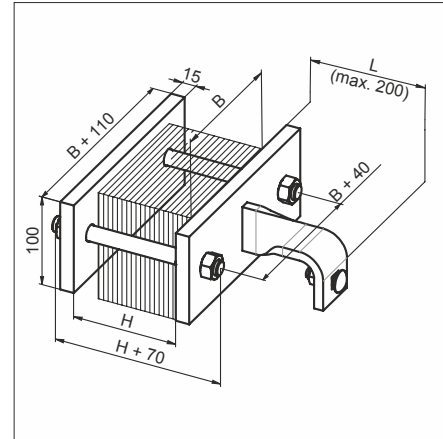
Mounting bracket

- For use on supports and hollow profiles
- Please indicate dimensions W, H and projection 'L' when placing the order

Material: Steel, hot-dip galvanised

Weight: Depends on Dimensions

Part no. **16802**



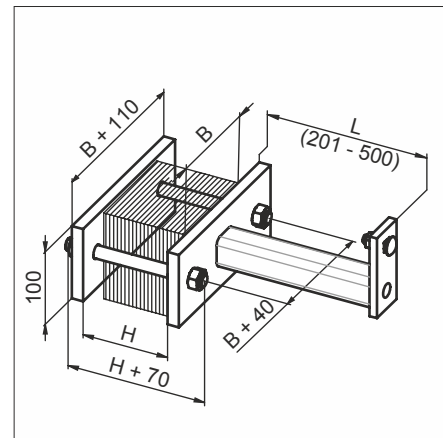
Mounting bracket

- For use on supports and hollow profiles
- Please indicate dimensions W, H and projection 'L' when placing the order

Material: Steel, hot-dip galvanised

Weight: Depends on Dimensions

Part no. **20817**



Note:

Projection 'L' depends on the type of bracket.

Söll GlideLoc® Steel/stainless steel ladders Footrests

Folding footrest

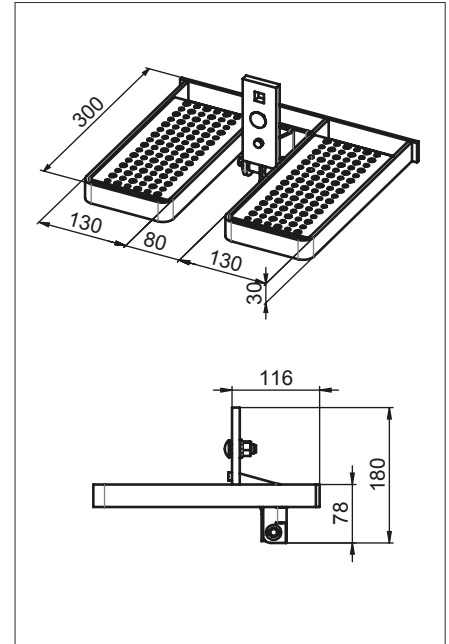
- Complies with DIN 18799
- For projection from 150 mm
- Complete with all mounting elements

Material: Steel,
hot-dip galvanised

Weight: 4.3 kg/each

Part no. **23723**

Stainless steel available upon request



Footrest

- Pivotal
- For steel/stainless steel Y-spar ladders
- Complete with all mounting elements

Hinge on left side

Material: Steel,
hot-dip galvanised

Weight: 18.0 kg/each

Part no. **16551**

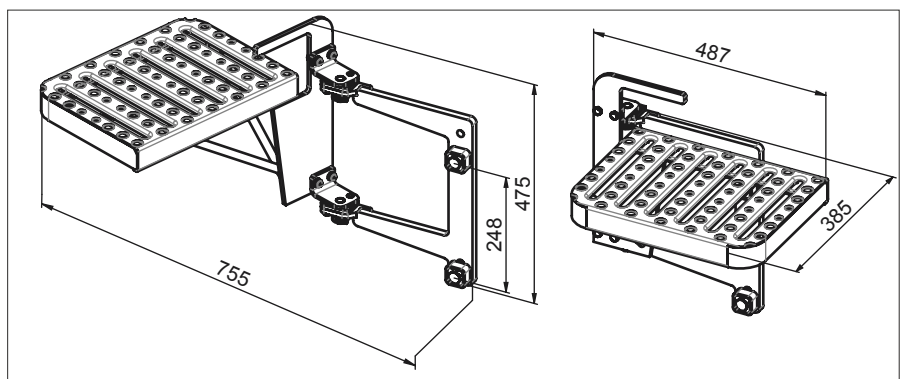
Hinge on right side

Material: Steel,
hot-dip galvanised

Weight: 18.0 kg/each

Part no. **16550**

Stainless steel available upon request



Söll GlideLoc® Steel/stainless steel ladders Footrests

Folding footrest

- Complies with DIN 18799
- For projection from 130 mm
- Complete with all mounting elements

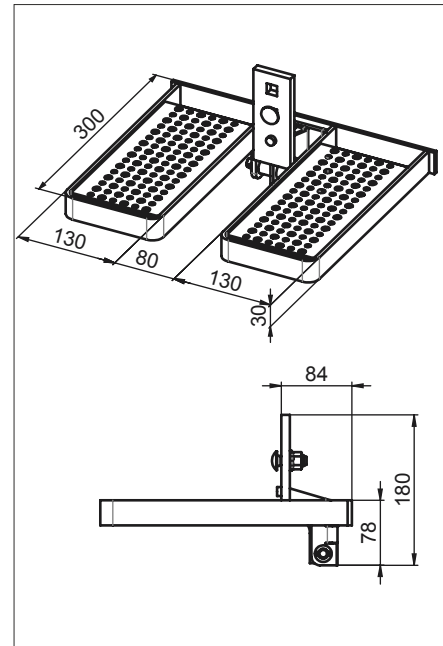
Combination with part no. 11222 possible

Material: Hot-dip galvanised steel

Weight: 4.4kg/each

Part no. 24535

Stainless steel available upon request



Footrest

- With working platforms on both sides
- To provide working access adjacent to the ladder
- Footrest and platforms can be folded
- Mounted to the guide rail and mast at the same time
- For use by one person only
- Complete with all mounting elements
- Rung distance 80 mm
- Step width 150 mm
- Please indicate the following required information:
Mast diameter D
Projection L

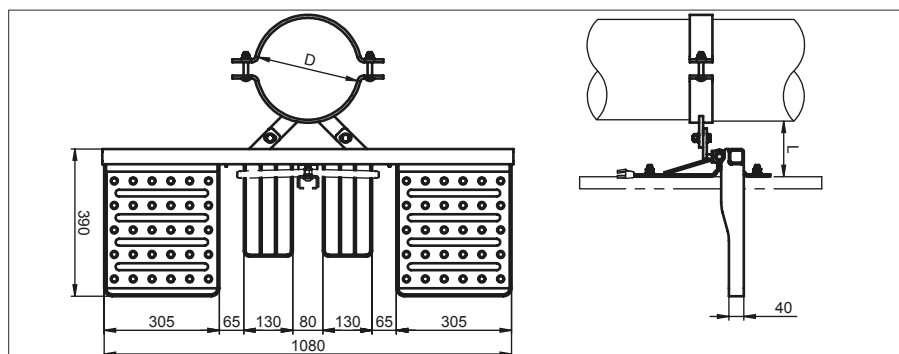
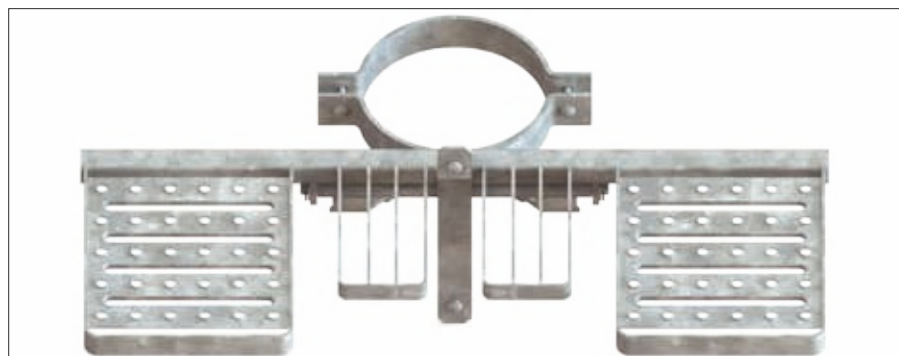
Material: Steel, hot-dip galvanised

Weight: Depends on mast diameter

Part no. 26539

Stainless steel available upon request

Wall and angle corner mounting bracket available upon request



Söll GlideLoc® Steel/stainless steel ladders Footrests

Footrest

- With one working platform on left side
- To provide working access adjacent to the ladder
- Footrest and platform can be folded
- Mounted to the guide rail and mast at the same time
- For use by one person only
- Complete with all mounting elements
- Rung distance 80 mm
- Step width 150 mm
- Please indicate the following required information:

Mast diameter D
Projection L

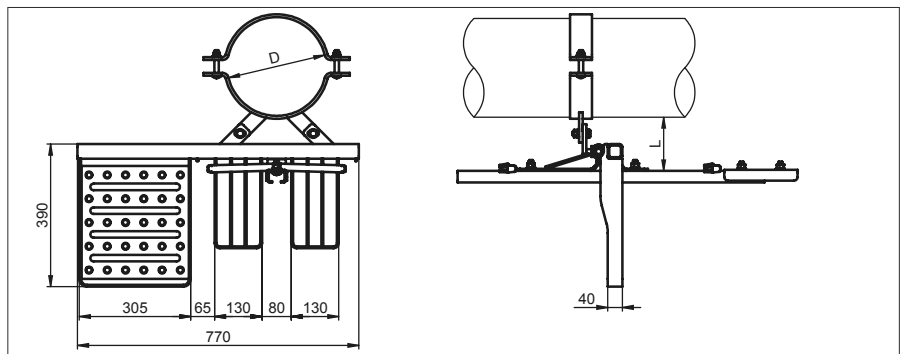
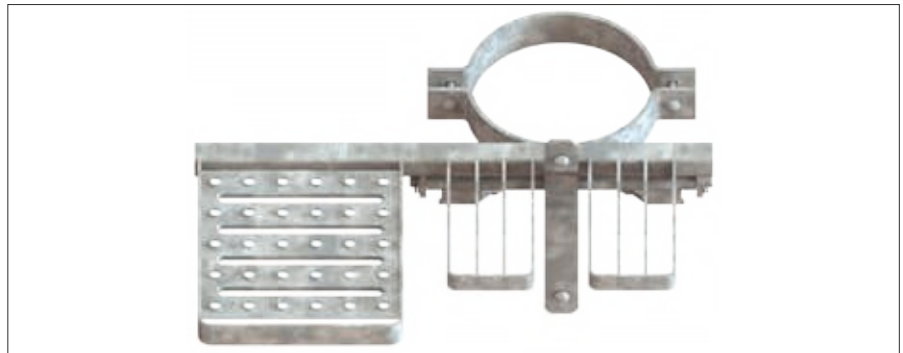
Material: Hot-dip galvanised steel

Weight: Depends on mast diameter

Part no. **26547**

Stainless steel available upon request

Wall and angle corner mounting bracket available upon request



Footrest

- With one working platform on right side
- To provide working access adjacent to the ladder
- Footrest and platform can be folded
- Mounted to the guide rail and mast at the same time
- For use by one person only
- Complete with all mounting elements
- Rung distance 80 mm
- Step width 150 mm
- Please indicate the following required information:

Mast diameter D
Projection L

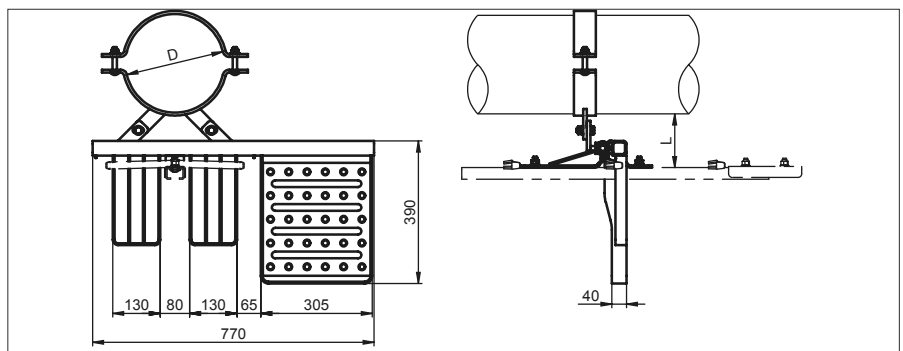
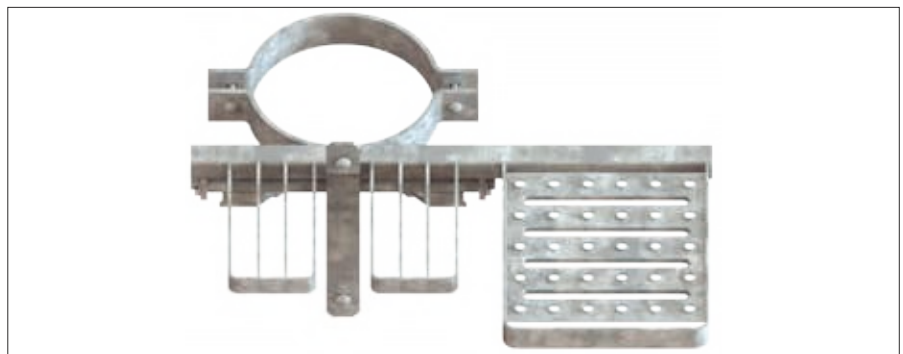
Material: Hot-dip galvanised steel

Weight: Depends on mast diameter

Part no. **26549**

Stainless steel available upon request

Wall and angle corner mounting bracket available upon request



Söll GlideLoc®

Steel/stainless steel ladders

Cover plates

Steel cover plate

- For steel ladders
- Without ladder section
- Prevents unauthorised people from climbing the ladder
- Can be mounted and must be secured with a padlock
- Length 3,000 mm

Material: Hot-dip galvanised steel

Weight: 17.1 kg/each

Cover plate for steel Y-spar

Part no. 11354

Cover plate for steel twin ladder

Part no. 17436

Aluminium cover plate

- For steel ladders

Material: Anodised aluminium

Weight: 33.3 kg/each

Hinge on left side

Part no. 17291

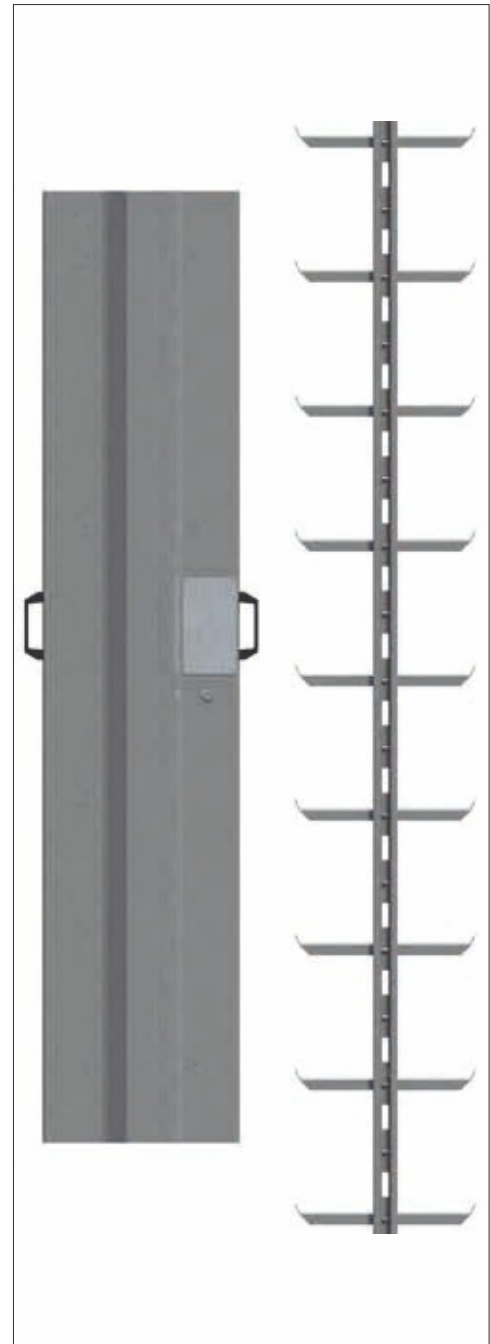
(not shown)

Hinge on right side

Part no. 21743

(not shown)

As an alternative to the cover plate, the **Söll PivotLoc foldable ladder system** is also possible.



Söll GlideLoc®

Steel/stainless steel ladders

Cover plates

Steel cover plate

- For steel ladders
- With Y-spar ladder section (L = 2,240 mm)
- Ladder section including recess
- Prevents unauthorised people from climbing the ladder
- Opens laterally
- Securing with padlock
- Hinge can be on left or right side

Material: Hot-dip galvanised steel

Weight: 30.0 kg/each

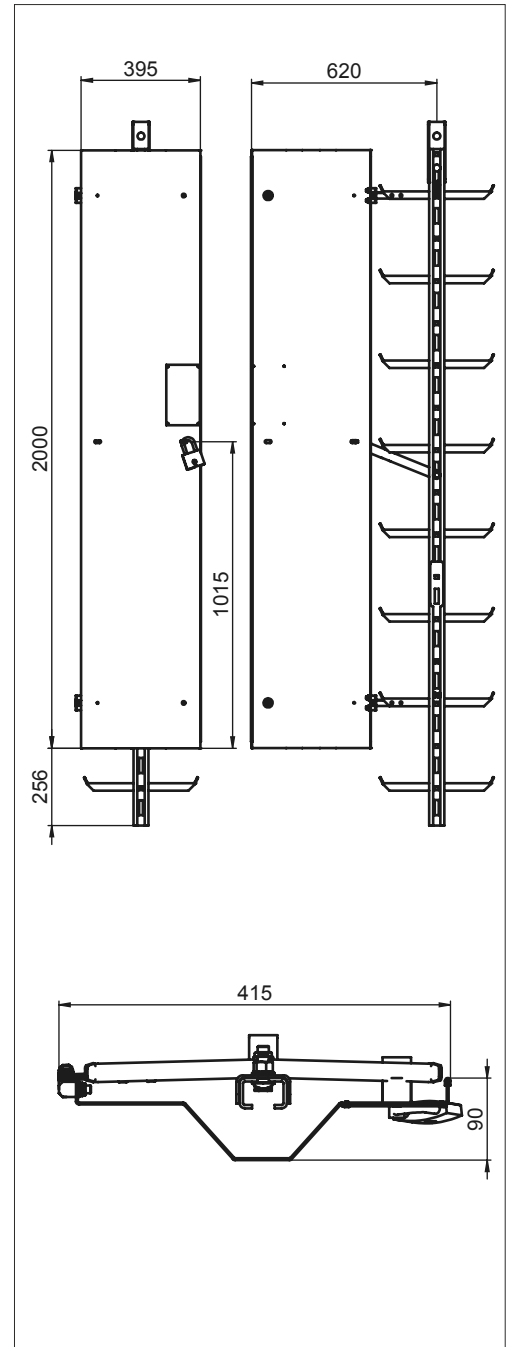
Hinge on left side

Part no. 22054

Hinge on right side

Part no. 19787

As an alternative to the cover plate, the **Söll PivotLoc foldable ladder system** is also possible.



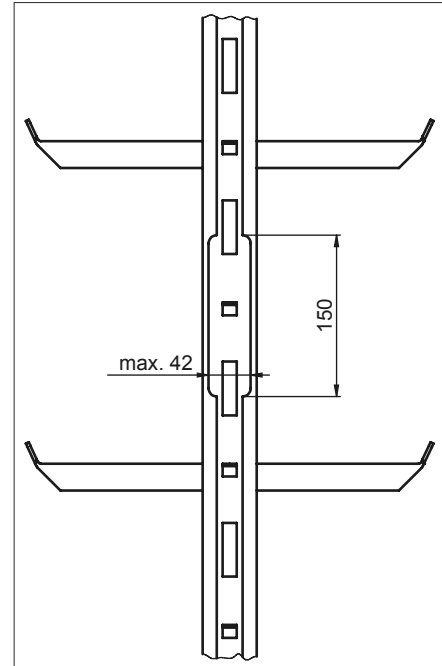
Söll GlideLoc[®]

Steel/stainless steel ladders

Recess

Recess

- To insert and take out the fall arresters
- As the fall protection unit does not have a protective function within the recess, there must be an end-stop (ordered separately) attached above the recess
- **The recess may only be at the beginning of the climbway, e.g. near the ground or on platforms with handrails**
- **A recess must not be used where there is a risk of falling for the user**
- **If the fall arrester is removed from the climbway course, an exit section has to be used**
- **At the time of ordering, the part of the ladder with a recess must be marked with an 'A' or the notice 'with recess'**



Söll GlideLoc®

Steel/stainless steel ladders

Exit section

Exit section

- To be installed within the climbway
- To remove or insert the fall arrester
- Comes with single-use mounting tool
- For steel/stainless steel ladders

Weight: 3.7 kg/each

Material: Steel, hot-dip galvanised

Part no. 11317

Material: Stainless steel, pickled

Part no. 16978

Factory assembly of the exit section

At the time of ordering, the part of the ladder with the factory assembled exit section must be marked with 'AV' or the notice 'with assembled exit section'.

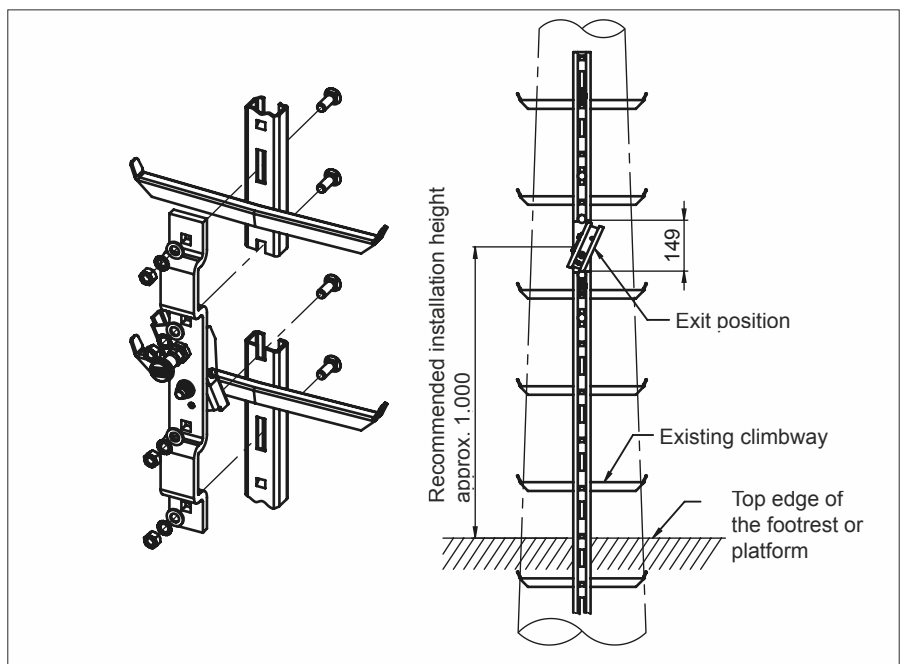
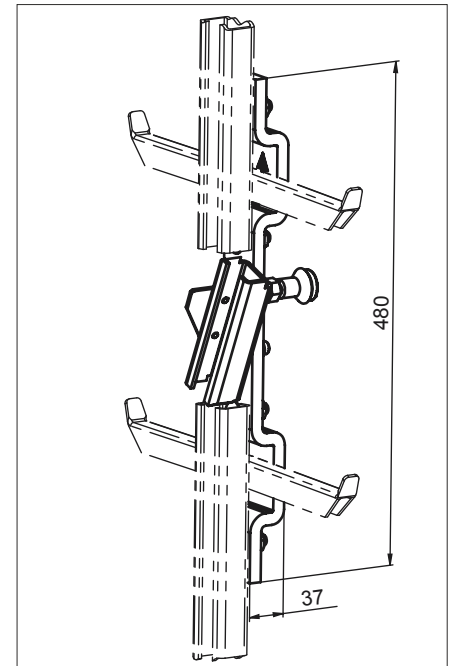
In the case of assembly at the factory, please also specify the installation height.

Please note:

Installation is only possible **between** two rungs.

Possible installation heights in a ladder section of 4,480 mm:

Height from bottom ladder section	
560 mm	Between 2nd and 3rd rung
840 mm	Between 3rd and 4th rung
1,120 mm	Between 4th and 5th rung
1,400 mm	Between 5th and 6th rung
1,680 mm	Between 6th and 7th rung
1,960 mm	Between 7th and 8th rung
2,240 mm	Between 8th and 9th rung
2,520 mm	Between 9th and 10th rung
2,800 mm	Between 10th and 11th rung
3,080 mm	Between 11th and 12th rung
3,360 mm	Between 12th and 13th rung
3,640 mm	Between 13th and 14th rung
3,920 mm	Between 14th and 15th rung



The recommended installation height is approx. 1,000 mm above the top edge of the footrest

Söll GlideLoc®

Steel/stainless steel ladders

Accessories

Turntable

- For safe transfer from vertical to horizontal and vice versa
- With aluminium profile for supporting the fall arrester
- Please specify the guide rail profile of the horizontal and vertical system

Material: Stainless steel, pickled

Weight: 4.2 kg/each

Bending radius of horizontal guide rail > 1,000 mm

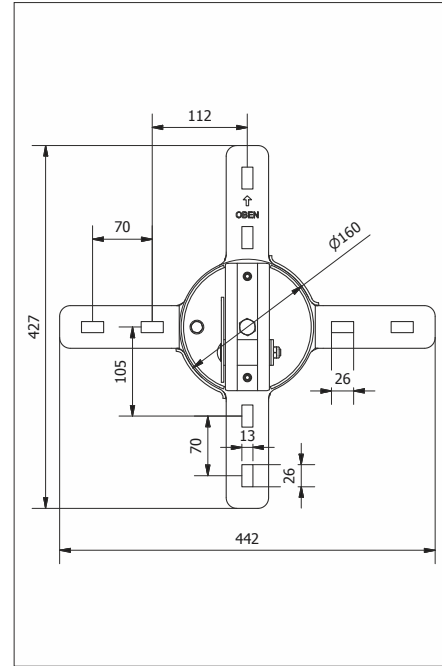
Part no. 11607

Bending radius of horizontal guide rail < 1,000 mm

Part no. 20349

Factory assembly on steel Y-spar ladder

Part no. 16884



Ho-Ver turntable

- For safe transfer from vertical to horizontal and vice versa
- The direction of travel can only be changed to the left or to the right
- Available also with release option in the pivoting part
- The combination of two or more turntables is only permitted if checked by the manufacturer and specifically approved in writing

Material: Stainless steel, pickled

Weight: 3.7 kg/each

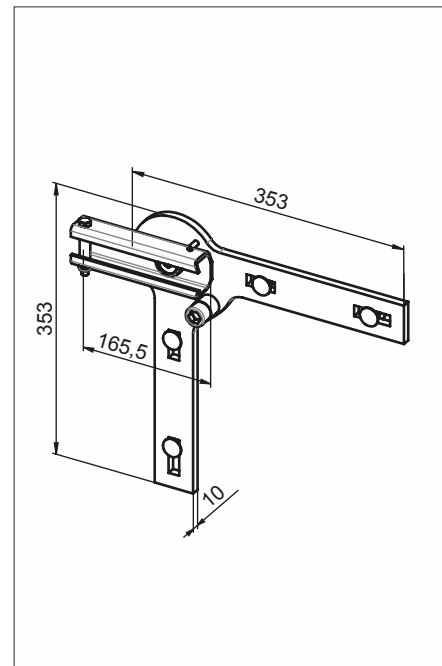
Part no. 22322

With release option

Material: Stainless steel, pickled

Weight: 3.7 kg/each

Part no. 22495
(not shown)



Söll GlideLoc[®]

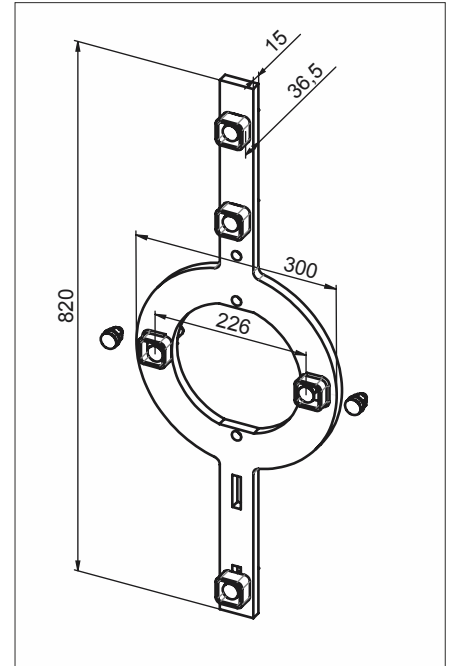
Steel/stainless steel ladders

Accessories

Turtable holder

- Holder for turntable mounting
- Alternative solution for mounting turntable with four brackets
- Complete with spacers and mounting elements
- For mounting a turntable on a Söll GlideLoc[®] steel ladder

Material: Steel,
hot-dip galvanised
Weight: 8.7 kg/each
Part no. **22300**



Söll GlideLoc®

Steel/stainless steel ladders

Accessories

Mounting bracket with adjustable projection

- Projection: 10 mm to 160 mm
- To be used for mounting turntable only
- Screws for installation on the turntable not included

Material: Steel, hot-dip galvanised

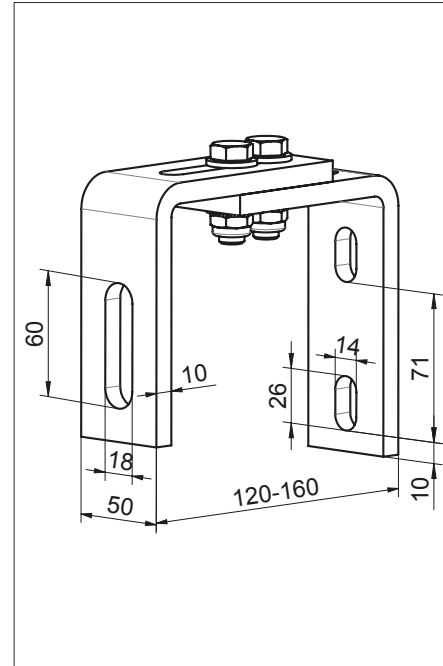
Weight: 1.6 kg/each

Part no. **10867**

Material: Stainless steel, pickled

Weight: 1.6 kg/each

Part no. **11591**



Mounting bracket with adjustable projection

- Projection: 160 mm up to 200 mm
- To be used for mounting turntable only
- Screws for installation on the turntable not included

Material: Steel, hot-dip galvanised

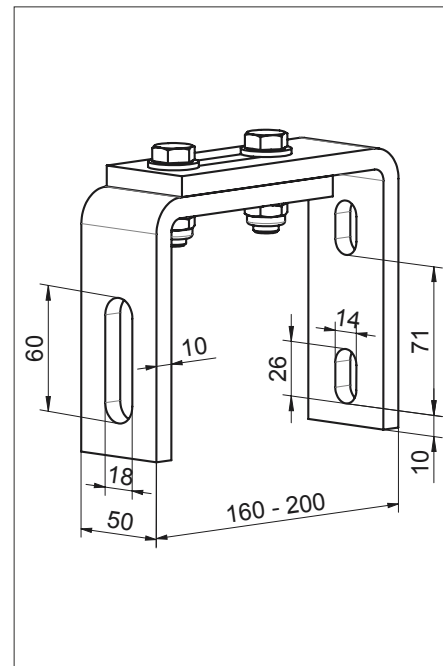
Weight: 1.8 kg/each

Part no. **10869**

Material: Stainless steel, pickled

Weight: 1.8 kg/each

Part no. **15250**



Note:

Projection 'L' depends on the type of bracket.
These mounting brackets cannot be used as ladder mounting brackets.

Söll GlideLoc[®]

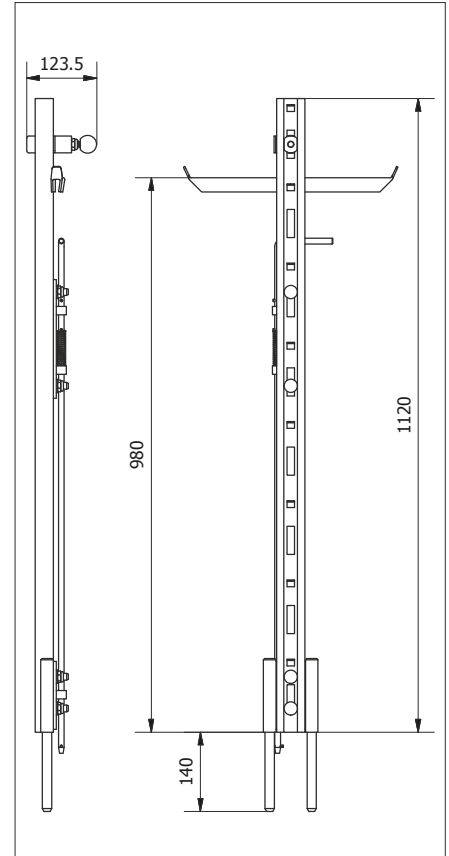
Steel/stainless steel ladders

Manhole entry device

Manhole entry device

- For safe entry into manholes
- Only use together with lower part for manhole entry device
- This device can be moved from one manhole ladder to another and locked

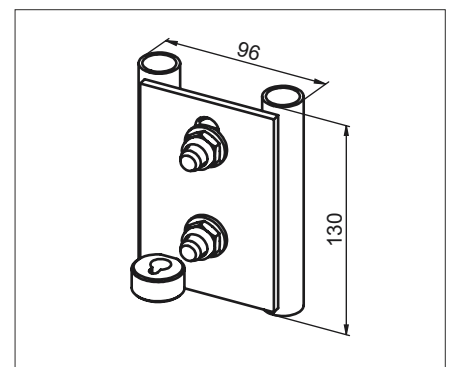
Material: Stainless steel, pickled
Weight: 7.0 kg/each
Part no. 17065



Lower part for manhole entry device

- Fixed to the rear of the fixed guide rail

Material: Stainless steel, pickled
Weight: 0.8 kg/each
Part no. 16191



Söll GlideLoc®

Steel/stainless steel ladders

Rotary exit section

Rotary exit section

- Used for leaving or entering the ladder system safely onto or from the platform behind the ladder
- Rotary exit section can be turned left or right
- Please take total ladder length up to rotary disk into account when ordering
- The top two rungs of the last ladder section must be removed
- Footrest with two individually foldable platforms

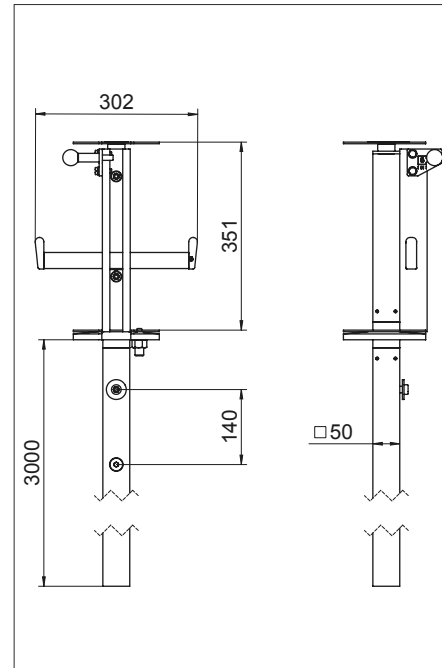
With footrest

Material: Anodised aluminium
Weight: 18.0 kg/each
Part no. **17053**

Without footrest

Material: Anodised aluminium
Weight: 12.4 kg/each
Part no. **16666**

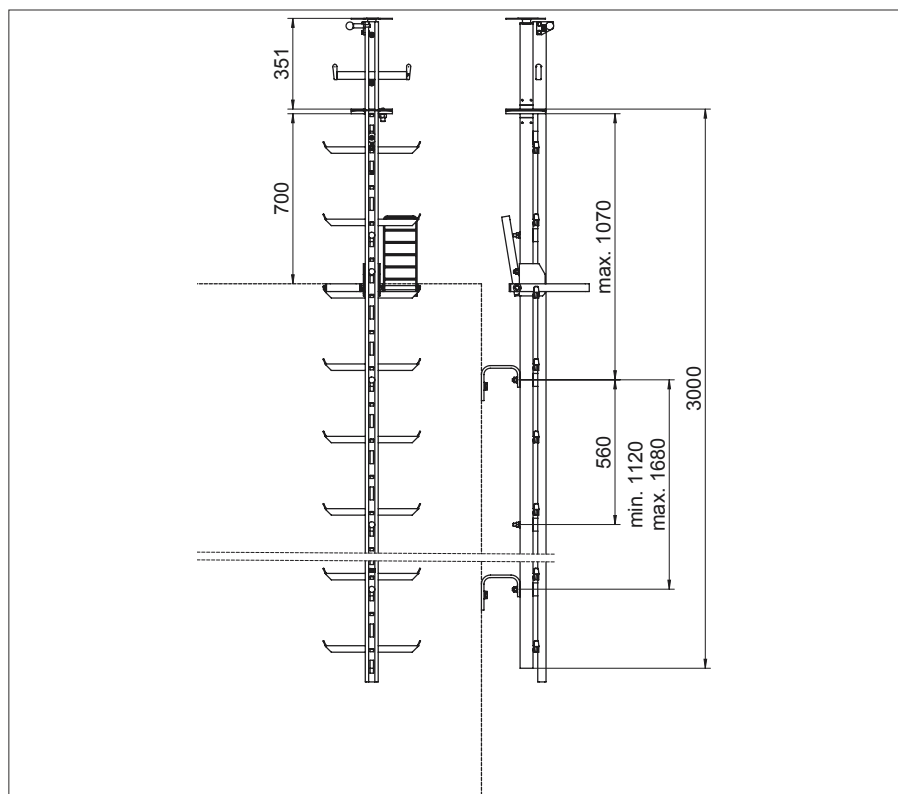
Factory assembly on a ladder section
Part no. **16604**



Note:

- The reinforcement must
- extend down over two mounting brackets which must be mounted at a distance of at least 1,120 mm
 - be bolted to the ladder every 560 mm

There must be no ladder joints in the area of the reinforcement!



Söll GlideLoc®

Steel/stainless steel ladders

Pivoting roof exit

Pivoting roof exit

- To be used in confined spaces
- Used for leaving or entering the ladder system safely onto or from the platform behind the ladder
- Hinge can be on left or right side
- Complete with all mounting elements
- To be fixed on the central spar of the ladder
- Top ladder section must be at least 1,400 mm long

Material: Steel, hot-dip galvanised

Weight: 37.0 kg/each

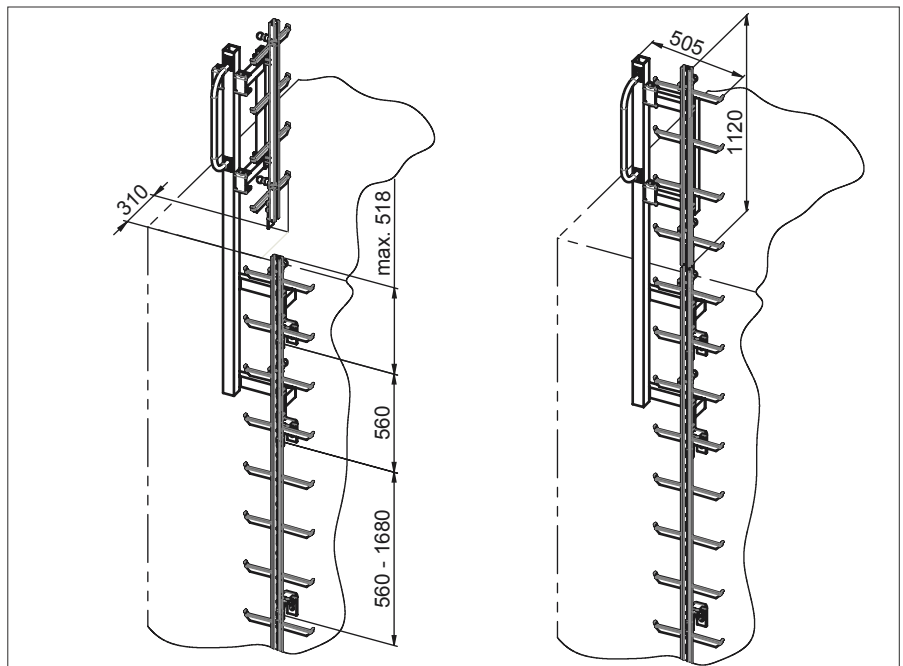
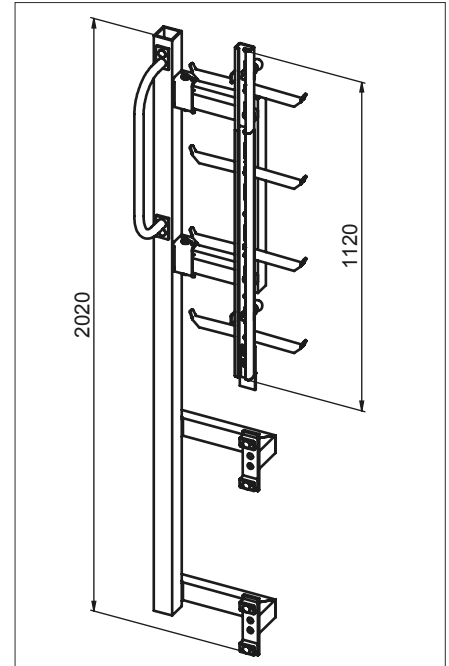
Hinge on left side

Part no. 23312

Hinge on right side

Part no. 26772

Stainless steel available upon request



Note:

The top three mounting brackets must be positioned on a ladder section!

Söll GlideLoc®

Steel/stainless steel ladders

Twisted changeover rail

Twisted changeover rail

- Guide rails with 90° bend allows transfer from vertical to horizontal direction
- **To be used only with Söll GlideLoc fall arresters included in the product range after March 2003**
- The guide rail is also turned 90° in the area of the bend
- Attachment is required for the horizontal rail area (not included in delivery)
- Comes with connector, fixing cross and end-stop

Material: Steel,
hot-dip galvanised

Weight: 11.0 kg/each

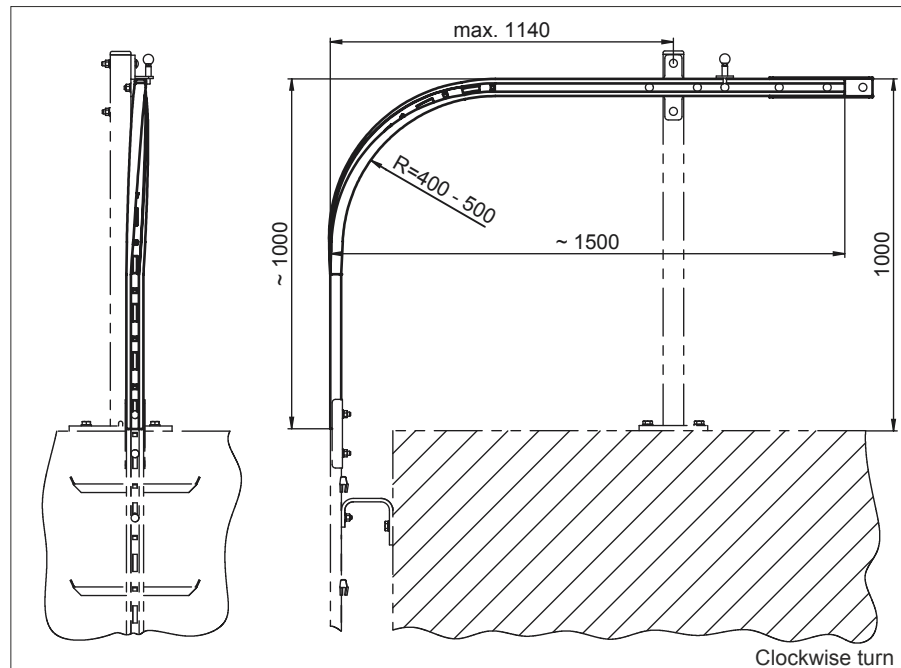
Clockwise turn

Part no. 16315

Anticlockwise turn

Must not be used in connection with a turntable!

Part no. 16292



Söll GlideLoc®

Steel/stainless steel ladders

Twisted changeover rail

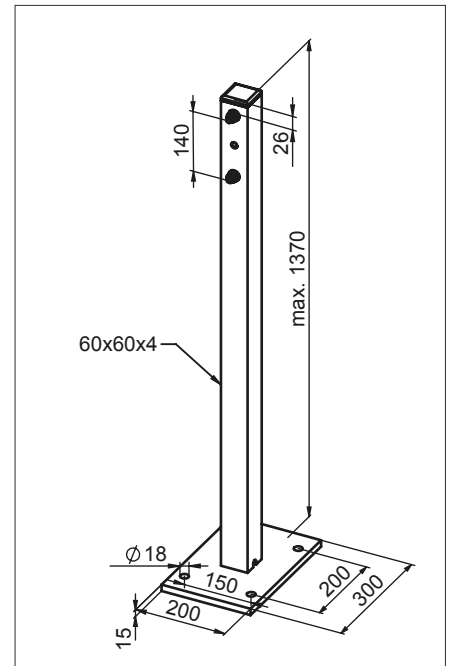
Support strut

- For lateral support of a twisted changeover rail
- Complete with all mounting elements
- Maximum height of support strut 1370 mm

Material: Steel, hot-dip galvanised
Weight: Depends on height
Part no. **17509**

Explanation:

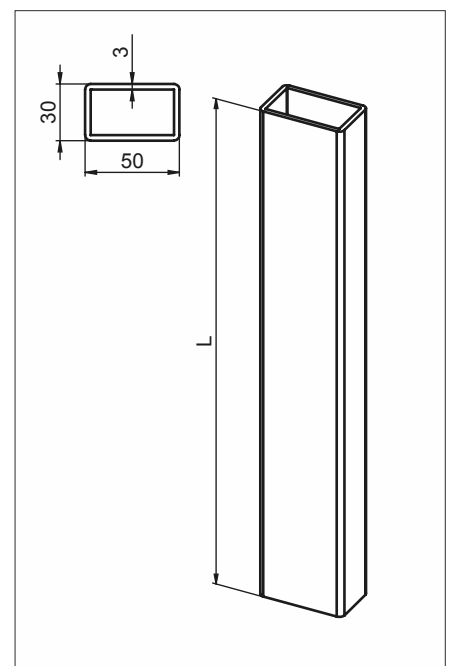
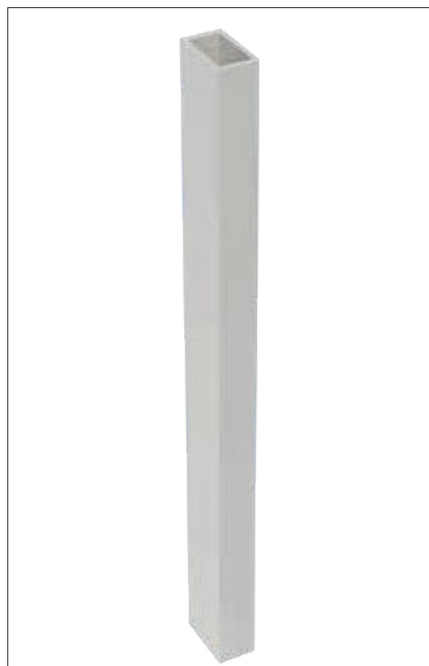
When used in combination with the changeover rail (part no. 16315/16292), the 1,096 mm support strut must be ordered.



Reinforcement

- Required when the distance between last mounting point and the top end of the ladder exceeds 380 mm
- Must be bolted onto the profile every 560 mm
- Must extend down over at least two mounting brackets
- Complete with all mounting elements
- Square tube 50 x 30 x 3 mm

Weight: Approx. 3.3 kg/m
Material: Steel, hot-dip galvanised
Part no. **HV-ST-<length in mm>**
Material: Stainless steel, pickled
Part no. **HV-A4-<length in mm>**



Söll GlideLoc®

Steel/stainless steel ladders

Roundabout

Roundabout

- For safe transfer between two different vertical climbways
- Projection of the climbways must be the same
- Mast diameter:
Min. 200 mm
Max. 1,000 mm
- Max. rotation angle 00°
- Comprising parallel rods and carriage for offsetting the fall arrester
- Comes with all fixing elements
- Please provide diagrams specifying the mast diameter, climbway offset angle, projection and ladder type when ordering
- Please indicate the direction of rotation

Material: Steel, hot-dip galvanised
Weight: Depends on size

For mast diameter 200 to 350 mm

Part no. 16352

For mast diameter 351 to 500 mm

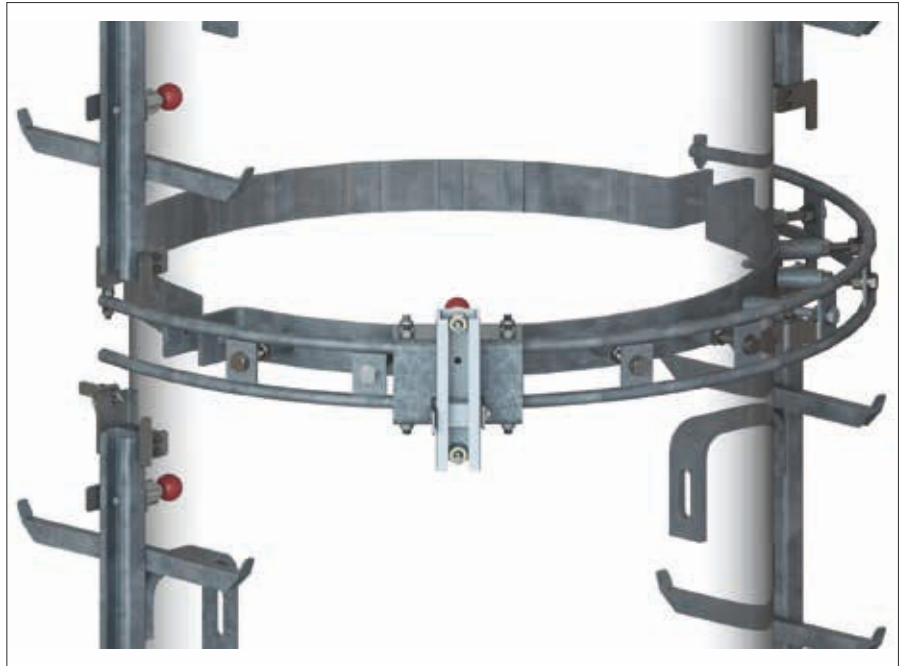
Part no. 18700

For mast diameter 501 to 700 mm

Part no. 18701

For mast diameter 701 to 1,000 mm

Part no. 18702



Söll GlideLoc®

Steel/stainless steel ladders

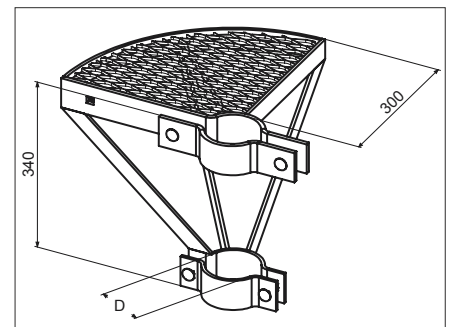
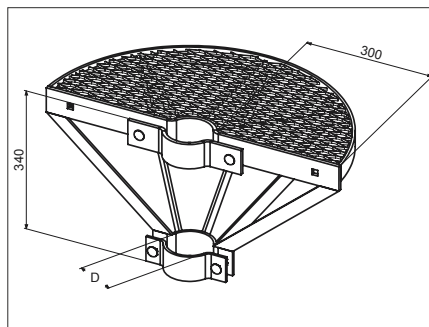
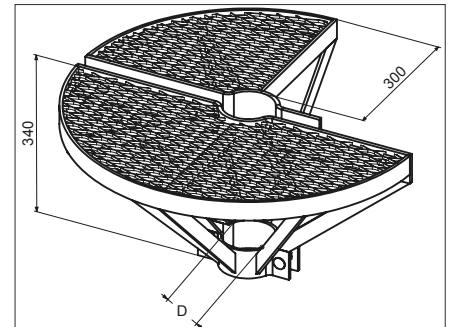
Accessories

Transfer platform

- Can be used individually or with roundabout
- Complete with all mounting elements
- Please provide diagrams specifying the mast diameter and position of the climbways when ordering. Indicate the size of the segment (90°, 180° or 270°)
- Mast diameter:
Min. 100 mm
Max. 1,000 mm

Material: Steel, hot-dip galvanised
Weight: Depends on size
Part no. **UP-<segment size>-<Ø in mm>**

Customised versions available upon request



Identification plate

- For 'Söll GlideLoc®' fall protection systems
- Cover plate assembled in factory
- Must be affixed to each access point
- Languages: D/E/F/ES

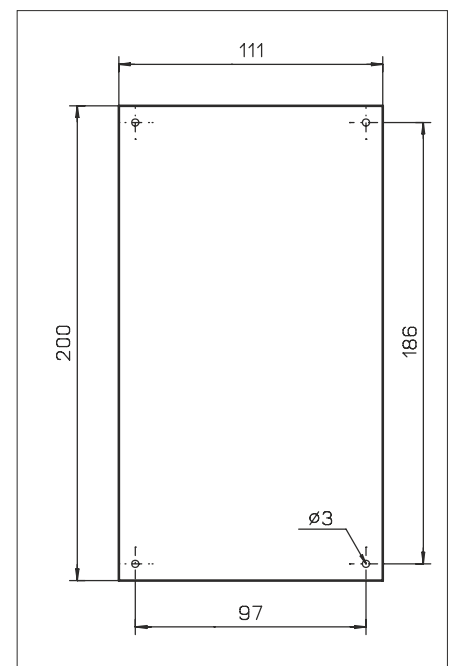
Material: Aluminium
Weight: 0.1 kg/each

Not engraved

Part no. **19876**

Engraved for steel ladder
Part no. **20854**

Engraved for stainless steel ladder
Part no. **20855**



Söll GlideLoc®

Steel/stainless steel ladders

Accessories

Special bolt

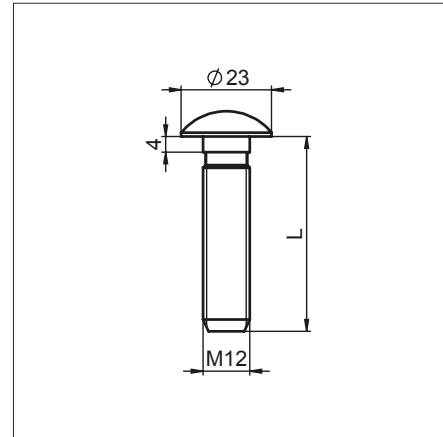
- Special bolt for fixing Söll ladders and guide rails
- Complete with connector
- Other dimensions available upon request

Material: Steel, hot-dip galvanised

M 12 x 30	Part no. 15667
Weight:	0.06 kg/each
M 12 x 35	Part no. 15850
Weight:	0.06 kg/each
M 12 x 40	Part no. 15851
Weight:	0.07 kg/each
M 12 x 50	Part no. 15852
Weight:	0.07 kg/each
M 12 x 60	Part no. 15853
Weight:	0.08 kg/each
M 12 x 70	Part no. 15854
Weight:	0.09 kg/each
M 12 x 80	Part no. 15855
Weight:	0.09 kg/each
M 12 x 90	Part no. 15856
Weight:	0.1 kg/each
M 12 x 100	Part no. 15857
Weight:	0.11 kg/each

Material: Stainless steel, pickled

M 12 x 30	Part no. 15669
Weight:	0.06 kg/each
M 12 x 35	Part no. 15858
Weight:	0.06 kg/each
M 12 x 40	Part no. 15859
Weight:	0.07 kg/each
M 12 x 50	Part no. 15860
Weight:	0.07 kg/each
M 12 x 60	Part no. 15861
Weight:	0.08 kg/each
M 12 x 70	Part no. 15862
Weight:	0.09 kg/each
M 12 x 80	Part no. 15863
Weight:	0.1 kg/each
M 12 x 90	Part no. 15864
Weight:	0.11 kg/each
M 12 x 100	Part no. 15865
Weight:	0.12 kg/each



Hot-dip galvanised steel version



Ice scraper

- For removal of frost and ice from Söll GlideLoc guide rails
- Can be used for all profiles
- Removes ice on the inside and outside of the running surfaces of the guide rails
- Anodised aluminium body
- Spring steel blades

Weight: 0.5 kg/each
Part no. 18072

