

Söll GuideLoc

- Horizontal anchor device
- Certified according to EN 795: 01 and CEN/TS 16415:2013



Subject to technical change. Please follow our maintenance and fitting instructions.

Söll GuideLoc Guide rails

Guide rail

- For horizontal application
- With connector
- Mounting distance: See table
- Manufacturing length max. 4,000 mm
- Approved for simultaneous use by three people

Profile 52 x 33 mm

Material: Anodised aluminium
Weight: 2.4 kg/m
Part no. **FS-WAL-<length in mm>**

Profile 50 x 32 mm

Material: Steel, hot-dip galvanised
Weight: 4.4 kg/m
Part no. **FS-WST-<length in mm>**

Profile 50 x 32 mm

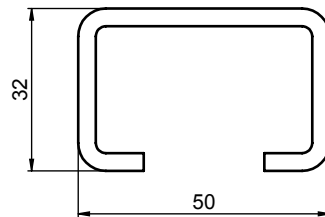
Material: Stainless steel, pickled
Weight: 3.5 kg/m
Part no. **FS-WA4-<length in mm>**

Surcharge for factory manufacture of cut-outs at a distance of 1,000 mm

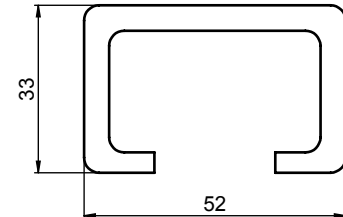
Part no. **15820**



Steel/stainless steel



Aluminium



Material	Mounting on	Max. mounting distance
Anodised aluminium	Ceiling	800 mm
	Floor, wall	500 mm
Steel, hot-dip galvanised	Ceiling, floor, wall	1,000 mm
Stainless steel, pickled		

Bending surcharge

- For bending a horizontal guide rail as per site diagram
- Manufacturing length max. 4,000 mm

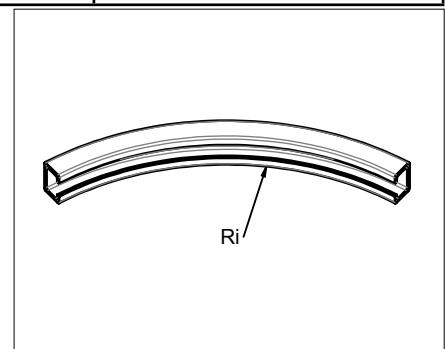
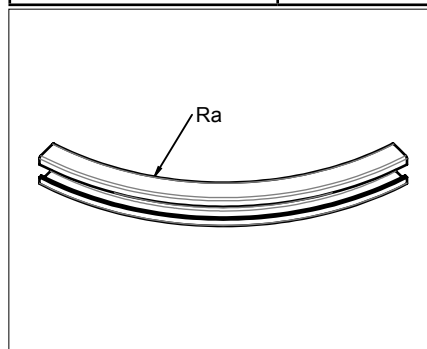
Material: Anodised aluminium
Part no. **16586**

Material: Steel, hot-dip galvanised

Part no. **16588**

Material: Stainless steel, pickled

Part no. **16587**



Smallest bending radii	Outer radius Ra	Inner radius Ri
When using <i>without</i> turntable	570 mm	620 mm
When using <i>with</i> turntable	800 mm	850 mm

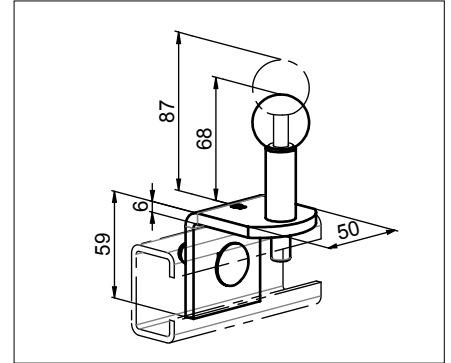
Subject to technical change. Please follow our maintenance and fitting instructions.

Söll GuideLoc End-stops

End-stop, openable

- Prevents the trolley/glider from accidentally slipping off of the guide rail
- Complete with all mounting elements

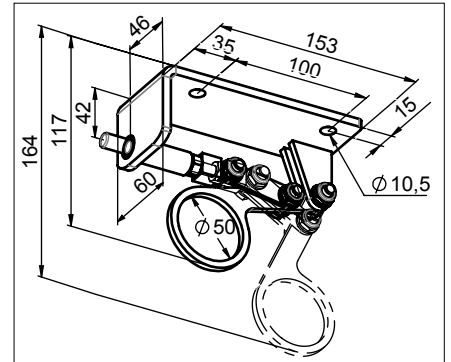
Material: Stainless steel, pickled
Weight: 0.4 kg/each
Part no. 16571



End-stop, remote unlocking

- Prevents the trolley/glider from accidentally slipping off of the guide rail
- For overhead application with fitted guide rail
- Complete with all mounting elements

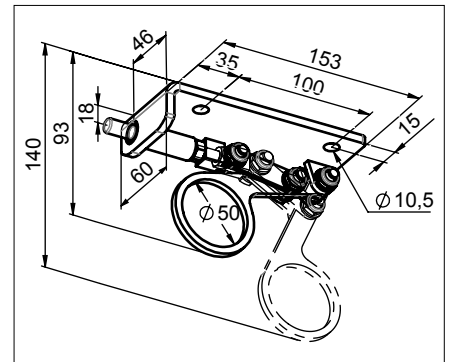
Material: Stainless steel, pickled
Weight: 0.9 kg/each
Part no. 26838



End-stop, remote unlocking

- Prevents the trolley/glider from accidentally slipping off of the guide rail
- For overhead application with lowered guide rail
- Complete with all mounting elements

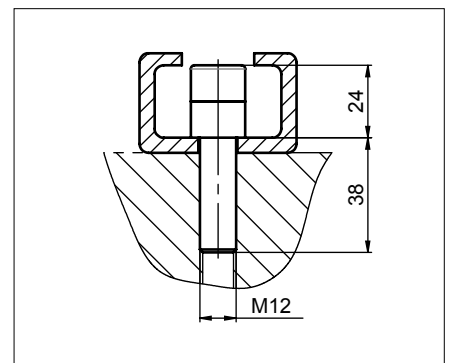
Material: Stainless steel, pickled
Weight: 0.8 kg/each
Part no. 26839



End-stop, fixed

- Prevents the fall arrester from being taken out of the guide rail
- For guide rail mounting without bracket
- Internal thread M12 required on site

Material: Stainless steel, pickled
Weight: 0.1 kg/each
Part no. 26927



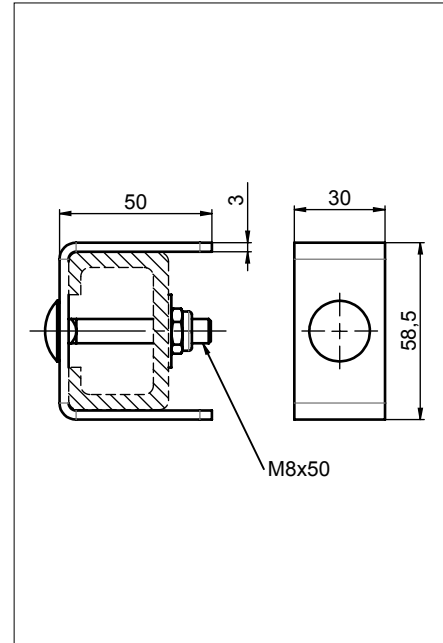
Subject to technical change. Please follow our maintenance and fitting instructions.

Söll GuideLoc End-stops/connector

Rigid end-stop

- Prevents the fall arrester from being taken out of the guide rail
- For fitted guide rails
- Complete with all mounting elements

Material: Stainless steel, pickled
Weight: 0.1 kg/each
Part no. **25166**



Connector for horizontal guide rails

- To connect horizontal guide rails
- Complete with all mounting elements

For steel guide rails

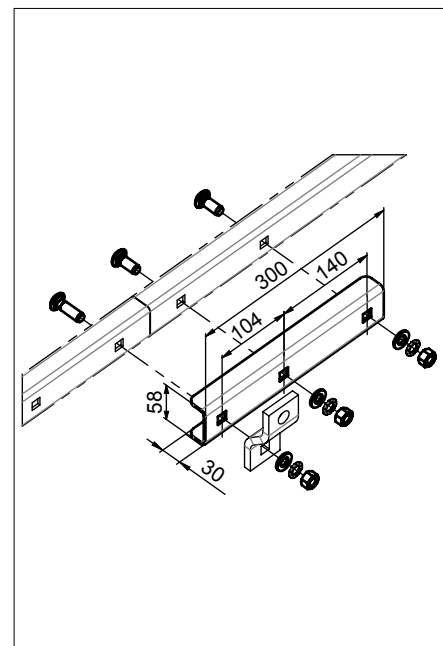
Material: Steel, hot-dip galvanised
Weight: 0.9 kg/each
Part no. **17372**

For stainless steel guide rails

Material: Stainless steel, pickled
Weight: 0.8 kg/each
Part no. **17988**

For aluminium guide rails

Material: Stainless steel, pickled
Weight: 0.8 kg/each
Part no. **17055**



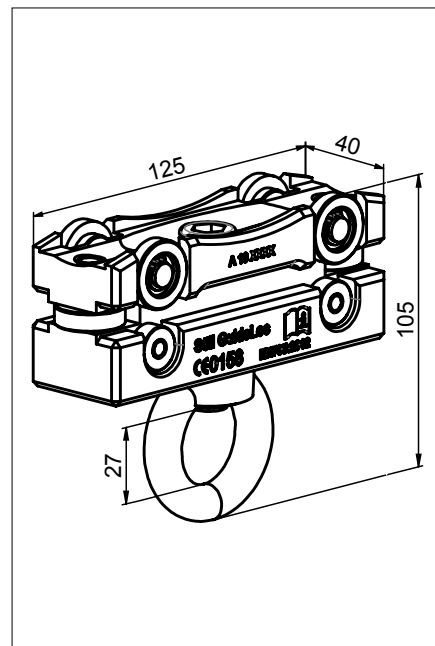
Subject to technical change. Please follow our maintenance and fitting instructions.

Söll GuideLoc Mobile anchor points

Trolley

- Complies with EN 795: 01
- For horizontal guide rails only
- Anodised aluminium body, stainless steel rotating eye

Material: Anodised aluminium
Stainless steel
Weight: 0.9 kg/each
Part no. 15620



Subject to technical change. Please follow our maintenance and fitting instructions.

Söll GuideLoc Mounting elements

Bracket

- Complete with all mounting elements
- Wall attachment must be drilled to suit site conditions. Minimum bolt diameter M16
- Projection: 150 mm

Weight: 1.2 kg/each

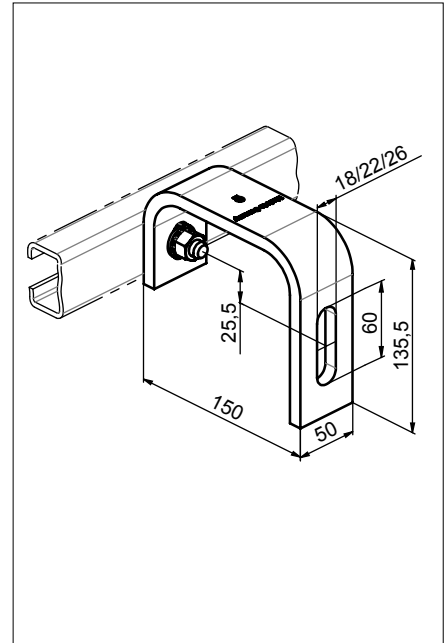
Material: Steel, hot-dip galvanised

Part no. 11048

Material: Stainless steel, pickled

Part no. 14759

Other projections available upon request



Bracket

- Complete with all mounting elements
- Support structure must be checked to ensure sufficient strength

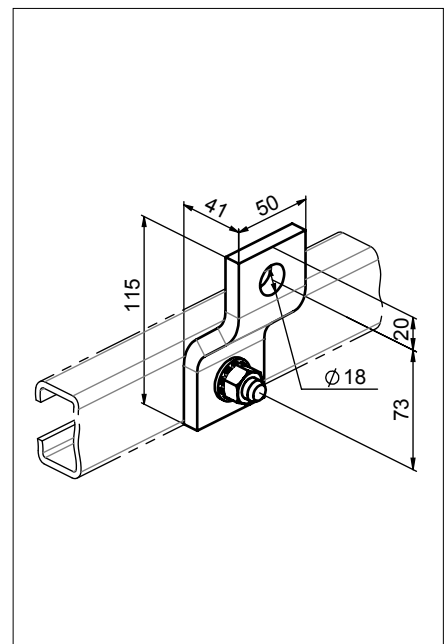
Weight: 0.5 kg/each

Material: Steel, hot-dip galvanised

Part no. 11102

Material: Stainless steel, pickled

Part no. 16838



Subject to technical change. Please follow our maintenance and fitting instructions.

Söll GuideLoc Accessories

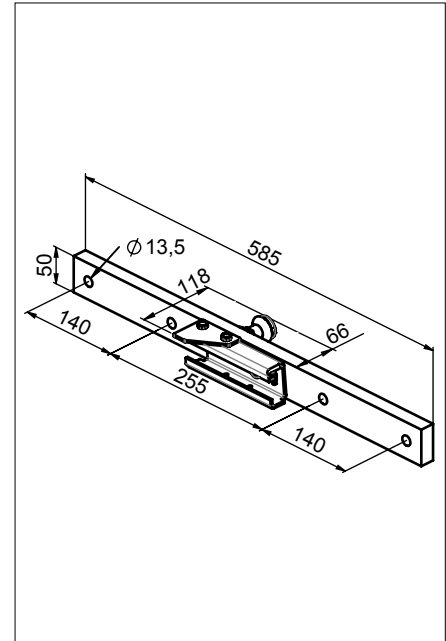
Exit section

- Can only be used in combination with a vertical or horizontal guide rail
- To be installed within a horizontal guide rail
- To remove or insert Söll GuideLoc fall arresters
- Comes with single-use mounting tool

Weight: 4.4 kg/each
Material: Steel, hot-dip galvanised

Part no. **22168**

Stainless steel available upon request



Fillister head screw

- For direct mounting of horizontal guide rail on structure without mounting bracket

Material: Stainless steel, pickled

Dimension: M12 x 30

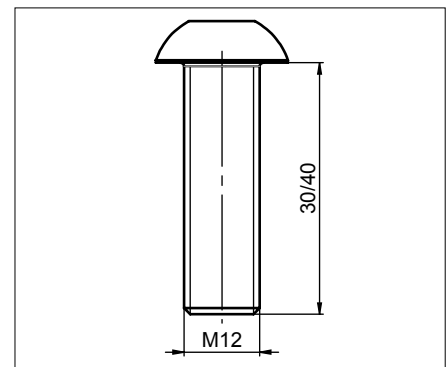
Weight: 0.03 kg/each

Part no. **24721**

Dimension: M12 x 40

Weight: 0.04 kg/each

Part no. **24624**



Identification plate

- For Söll GuideLoc anchor devices
- Must be affixed to each access point
- Languages: D/E/F/ES

Material: Aluminium

Weight: 0.03 kg/each

Part no. **26864**



Subject to technical change. Please follow our maintenance and fitting instructions.