

# Söll MultiRail® Aluminium

- Horizontal anchor device
- Certified according to EN 795: 01 and CEN/TS 16415:2013



Subject to technical change. Please follow our maintenance and fitting instructions.

# Söll MultiRail® Aluminium

## Horizontal safety rail

- Available in lengths of 00 - 6,000 mm
- Mounting distance: recommended 4,000 mm - max. 6,000 mm

Material: Anodised aluminium

Weight: 2.7 kg/m

Sold by the metre

**Part no. 26876**

End piece sold by the metre

**Part no. 26874**

## Standard length 3,000 mm

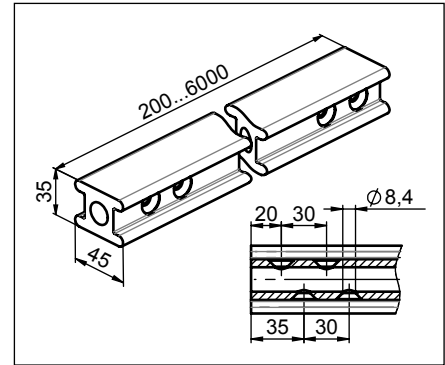
Weight: 9.0 kg/each

**Part no. 26871**

## Standard length 6,000 mm

Weight: 18.0 kg/each

**Part no. 26858**



## End piece standard length 3,000 mm

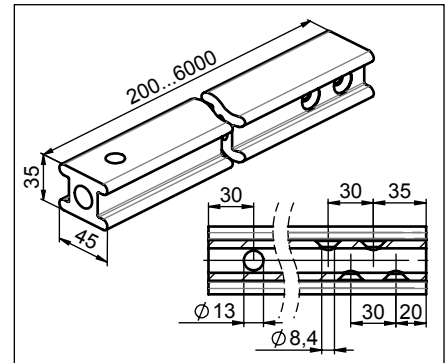
Weight: 8.0 kg/each

**Part no. 26872**

## End piece standard length 6,000 mm

Weight: 16.0 kg/each

**Part no. 26861**



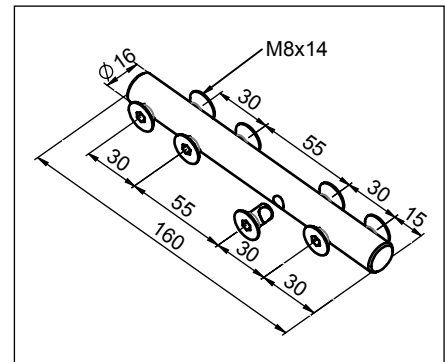
## Connector

- For connecting individual rail sections

Material: Stainless steel, pickled

Weight: 0.4 kg/each

**Part no. 26863**



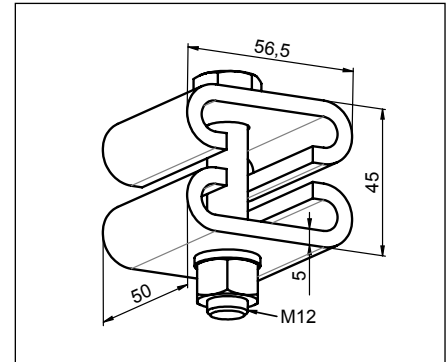
Subject to technical change. Please follow our maintenance and fitting instructions.

# Söll MultiRail® Aluminium

## Rail end-stop without exit

- To prevent the glider from coming off accidentally

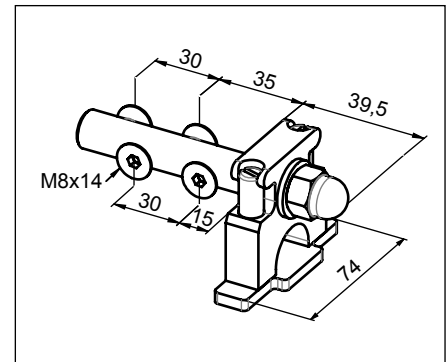
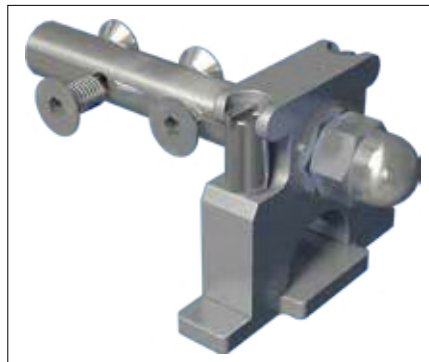
Material: Stainless steel, pickled  
Weight: 0.4 kg/each  
Part no. **26886**



## Rail end-stop with exit

- To prevent the glider from coming off accidentally
- Removal of the glider by pressing the opening mechanism with one hand

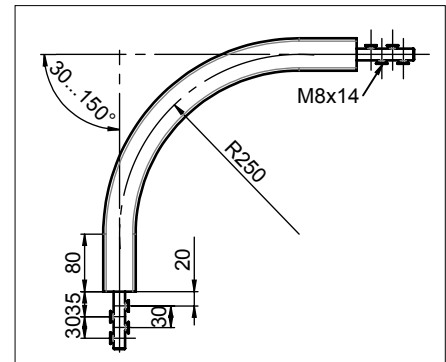
Material: Stainless steel, pickled/  
anodised aluminium  
Weight: 0.4 kg/each  
Part no. **26916**



## Horizontal bend

- For horizontal use as corner turn
- R = 50 mm

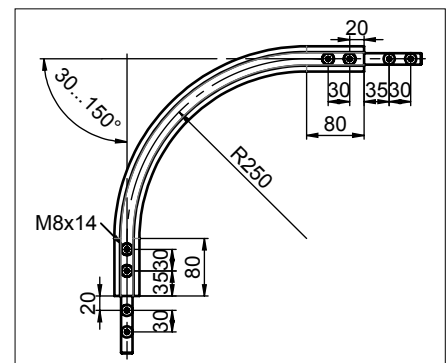
Material: Anodised aluminium  
Angle: 90°  
Weight: 1.9 kg/each  
Part no. **27058**  
Angle: 30 - 150°  
Weight: Depends on angle  
Part no. **27059**



## Vertical bend

- For vertical use as corner turn
- R = 50 mm

Material: Anodised aluminium  
Angle: 90°  
Weight: 1.9 kg/each  
Part no. **27060**  
Angle: 30 - 150°  
Weight: Depends on angle  
Part no. **27061**



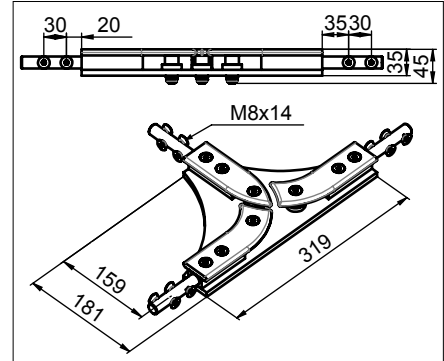
Subject to technical change. Please follow our maintenance and fitting instructions.

# Söll MultiRail® Aluminium

## Horizontal track T-change

- For safe change of travel in two directions
- The rails must be at a 90° angle to one another
- Can only be used with closed glider (part no. 17407)

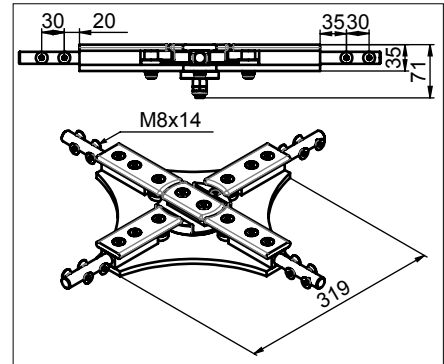
Material: Anodised aluminium/  
Stainless steel, pickled  
Weight: 2.1 kg/each  
Part no. **26903**



## Horizontal track X-change

- For safe change of travel in four directions
- The rails must be at a 90° angle to one another
- Can only be used with closed glider (part no. 17407)

Material: Anodised aluminium/  
Stainless steel, pickled  
Weight: 3.8 kg/each  
Part no. **26914**



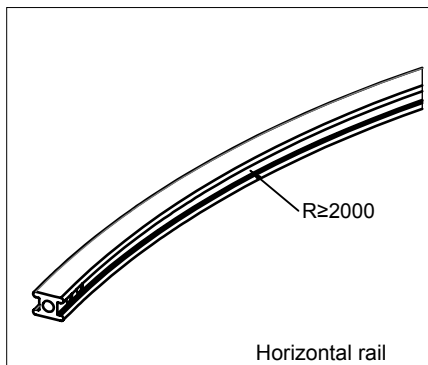
## Summary of the smallest possible bending radii in mm for the Söll MultiRail® Aluminium.

### Horizontal bent rail

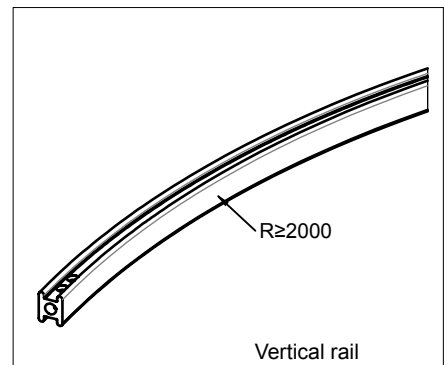
- Bending radius is at least 2,000 mm

Material: Anodised aluminium  
Weight: 3.0 kg/m  
Part no. **27131**

Indicate the position of the rail (horizontal, vertical) when ordering.



Horizontal rail



Vertical rail

### Single bending

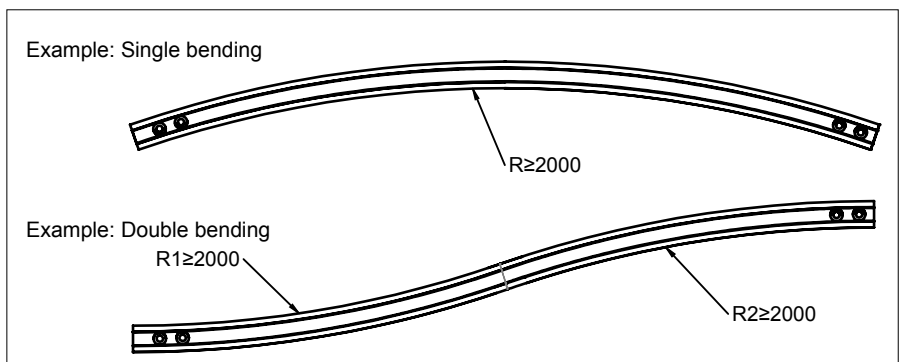
- Bending radius: min. 2,000 mm

Part no. **27130**

### Double bending

- Bending radius: min. 2,000 mm

Part no. Available upon request



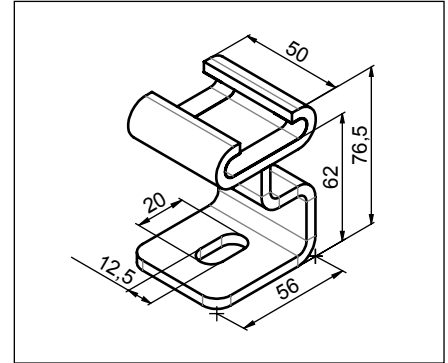
Subject to technical change. Please follow our maintenance and fitting instructions.

# Söll MultiRail® Aluminium Fixings

## Bracket 1

- With Teflon easy-slide ribbons
- The rail can move freely in the brackets
- For mounting screws M1
- Screw mounting surface parallel to the rail

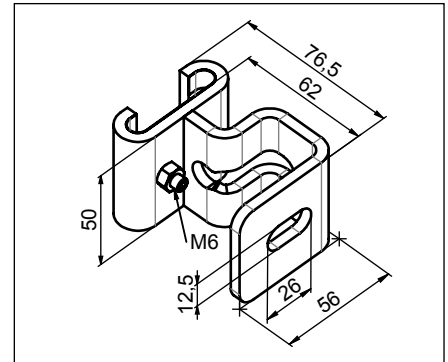
Material: Stainless steel, pickled  
Weight: 0.4 kg/each  
Part no. **17489**



## Bracket 1 with clamping screw M6

- With Teflon easy-slide ribbons
- For mounting screws M1
- Screw mounting surface parallel to the rail

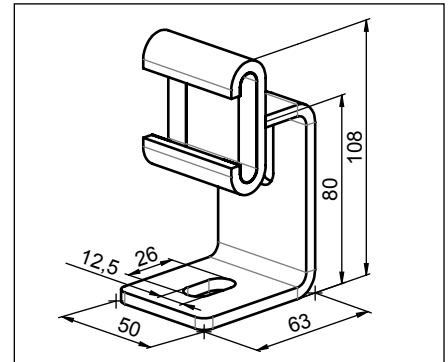
Material: Stainless steel, pickled  
Weight: 0.4 kg/each  
Part no. **20168**



## Bracket 2

- With Teflon easy-slide ribbons
- The rail can move freely in the brackets
- For mounting screws M1
- Screw mounting surface at right angle to the rail

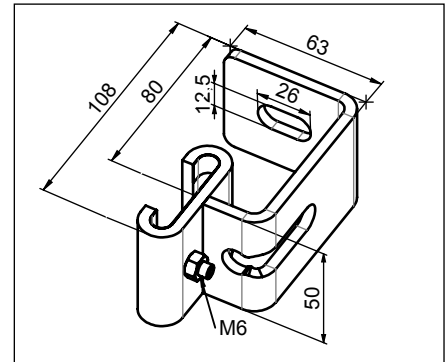
Material: Stainless steel, pickled  
Weight: 0.4 kg/each  
Part no. **17112**



## Bracket 2 with clamping screw M6

- With Teflon easy-slide ribbons
- For mounting screws M1
- Screw mounting surface at right angle to the rail

Material: Stainless steel, pickled  
Weight: 0.4 kg/each  
Part no. **20167**



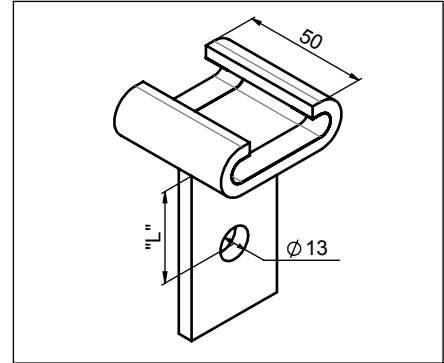
Subject to technical change. Please follow our maintenance and fitting instructions.

# Söll MultiRail® Aluminium Fixings

## Bracket 5

- With Teflon easy-slide ribbons
- The rail can move freely in the brackets
- For overhead application
- For mounting screws M1
- Projection 'L': max. 00 mm (please indicate when ordering)

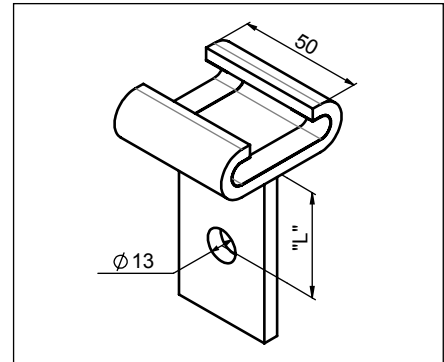
Material: Stainless steel, pickled  
Weight: 0.4 kg/each  
Part no. **21031**



## Bracket 7

- With Teflon easy-slide ribbons
- The rail can move freely in the brackets
- For overhead application
- For mounting screws M1
- Projection 'L': max. 00 mm (please indicate when ordering)

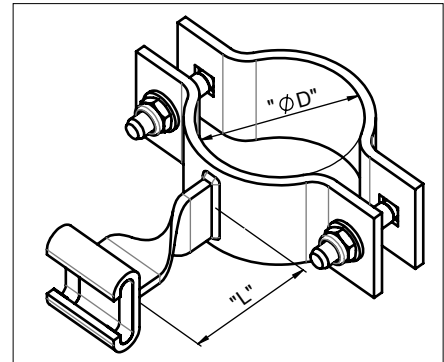
Material: Stainless steel, pickled  
Weight: 0.4 kg/each  
Part no. **21677**



## Clamp

- With Teflon easy-slide ribbons
- The rail can move freely in the brackets
- Projection 'L': 80 - 00 mm
- Complete with all mounting elements
- Please indicate projection 'L' when placing the order

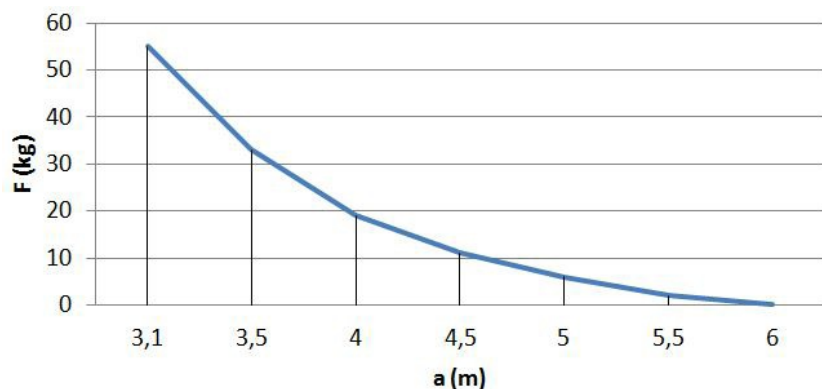
Material: Stainless steel, pickled  
Weight: Depends on size  
Part no. **MR-BS-1AUSL-<Ø in mm>**



Recommended mounting distance 'a' when using a wheeled trolley with a retractable type fall arrester

### Load 'F' definition:

self-weight of retractable type fall arrester +  
max. retraction load of the retractable type fall arrester

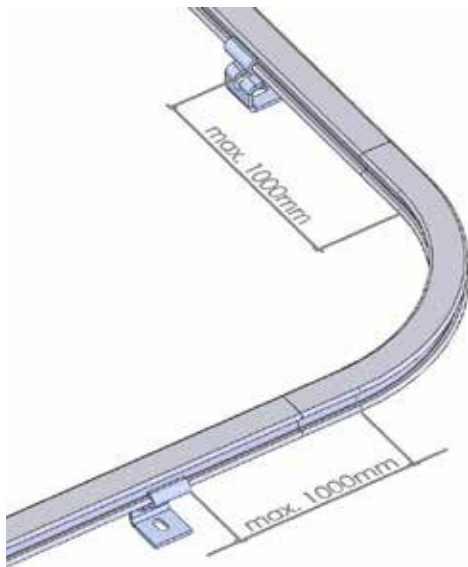
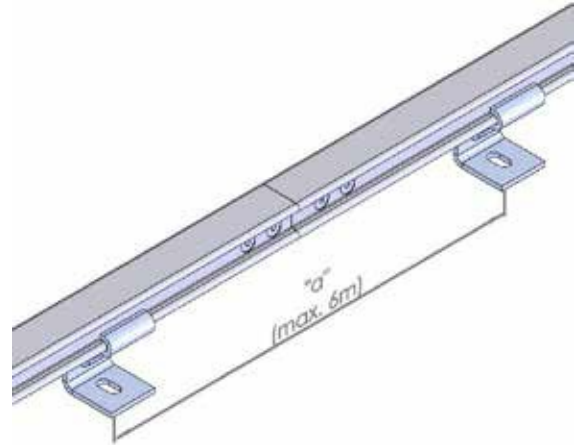
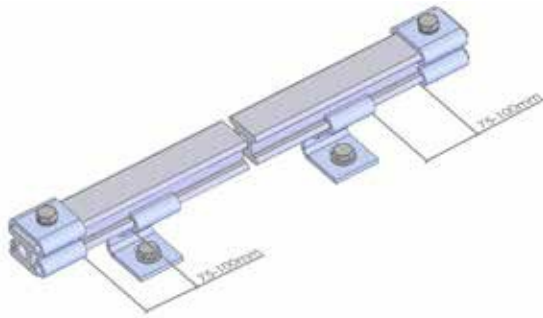


Subject to technical change. Please follow our maintenance and fitting instructions.

# Söll MultiRail® Aluminium Planning aid for mounting distances

**Straight course** of the Söll MultiRail® Aluminium anchor device:

Rail projection at the last bracket: 75 - 100 mm  
 Mounting distance: Recommended 4,000 mm  
 Maximum 6,000 mm



**L-shape** of the Söll MultiRail® Aluminium anchor device:

Distance of bracket to bend: max. 1,000 mm

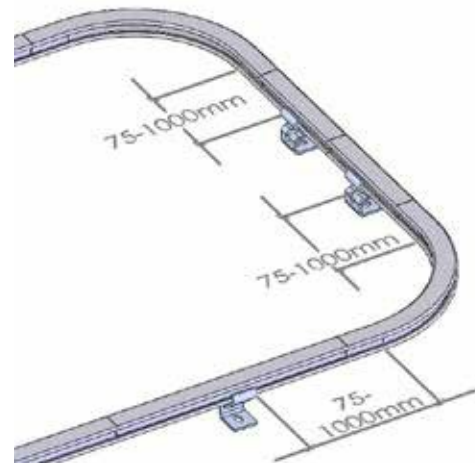
Special shapes available after consulting the manufacturer.

**U-shape** of the Söll MultiRail® Aluminium anchor device:

Distance of bracket to bend: 75 - 1,000 mm

Special shapes available after consulting the manufacturer

**Endless/closed shape** of the Söll MultiRail (aluminium) anchor device available only as an exception and after consulting the manufacturer



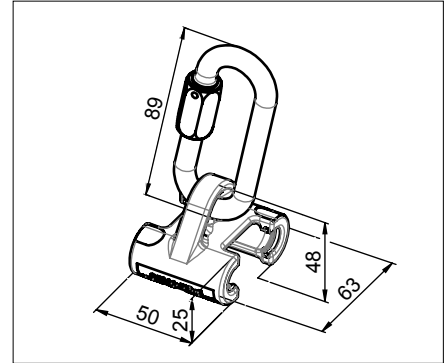
Subject to technical change. Please follow our maintenance and fitting instructions.

# Söll MultiRail® Aluminium Mobile anchor points

## Closed glider

- With sliding inserts (made of polyamide) and eyelet

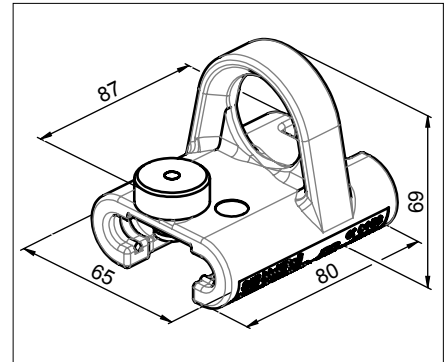
Material: Stainless steel, pickled  
Weight: 0.5 kg/each  
Part no. 17407



## Lockable glider

- With sliding inserts (made of polyamide) and yellow eyelet

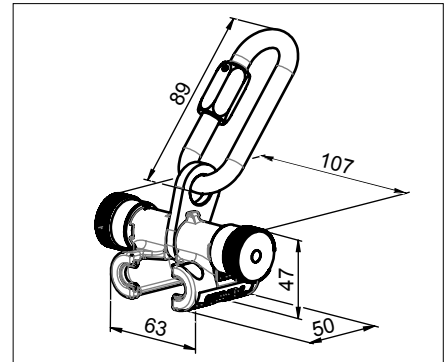
Material: Stainless steel, pickled  
Weight: 0.65 kg/each  
Part no. 26308



## Openable glider

- With sliding inserts (made of polyamide) and eyelet
- Can be attached and removed at any point

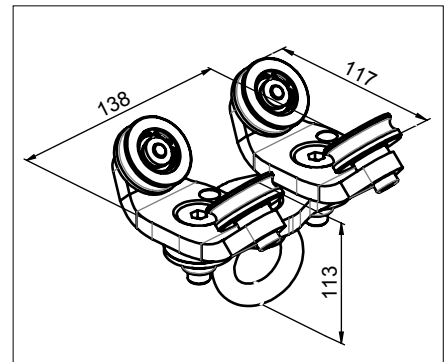
Material: Stainless steel, pickled  
Weight: 0.8 kg/each  
Part no. 17792



## Wheeled trolley

- For overhead application
- To be used with a retractable type fall arrester
- With swivelable eyelet
- Can be used with rail end-stop (part no. 26916) and horizontal bend (part no. 27058)

Material: Stainless steel, pickled  
Weight: 2.0 kg/each  
Part no. 24168



Subject to technical change. Please follow our maintenance and fitting instructions.



# Söll MultiRail® Aluminium Accessories

## Identification plate

- For Söll MultiRail® Aluminium anchor devices
- Dimensions: 150 x 70 mm
- Hole spacing 135 x 56 mm, Ø . mm
- Languages: D/E/F/ES

Material: Aluminium  
Weight: 0.1 kg/each  
Part no. **26990**



## Drilling gauge

- Serves to make the component holes when the guide rails are shortened at the working site
- Can be clamped on the guide rail by a screw ferrule

Material: Aluminium  
Weight: 0.5 kg/each  
Part no. **26917**

