

Söll Vi-Go®

- Vertical fall protection system
- Certified according to EN 353-1: 00 and CNB/P/11.073



Subject to technical change. Please follow our maintenance and fitting instructions.

Söll Vi-Go® Guide cable/end pieces

Guide cable

- Cable diameter 8 mm or 10 mm
- Max. cable length 00 m
- Mounting distance of intermediate brackets max. 10 m

Cable diameter 8 mm

Cable design 6x19 + SE

Material: Galvanised steel

Weight: 0.2 kg/m

Part no. 24843

Cable design 7x19

Material: Stainless steel

Weight: 0.3 kg/m

Part no. 24841

Cable diameter 10 mm

Cable design 6x19 + SE

Material: Galvanised steel

Weight: 0.3 kg/m

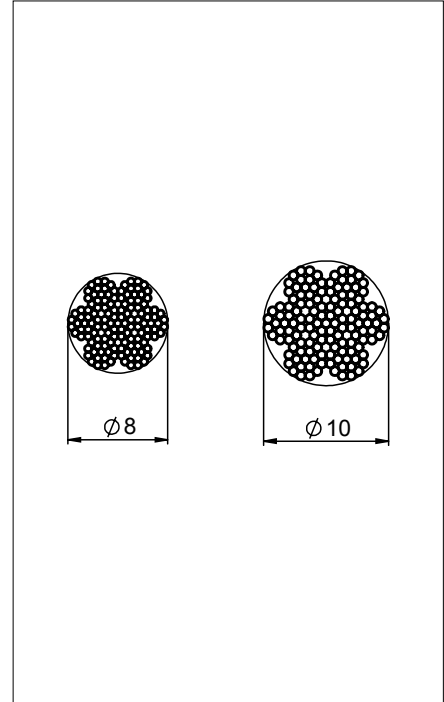
Part no. 24844

Cable design 7x19

Material: Stainless steel

Weight: 0.4 kg/m

Part no. 24842



Cable swaging

- Cable end pre-assembled in factory with eye stiffener and crimp sleeve
- Must be ordered with the guide cable

For 8 mm galvanised steel cable

Part no. 24845

For 8 mm pickled stainless steel cable

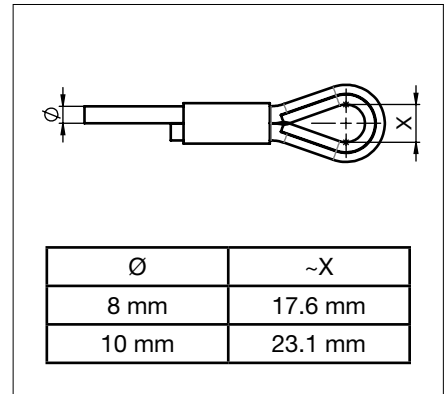
Part no. 24846

For 10 mm galvanised steel cable

Part no. 24847

For 10 mm pickled stainless steel cable

Part no. 24848



Cable clamping set

- Set contains: 4x cable clamps, 1x cable eye stiffener, 1x heat shrink tube
- Simple and quick installation
- The guide cable does not have to be cut exactly to measure

Material: Stainless steel

For 8 mm cable

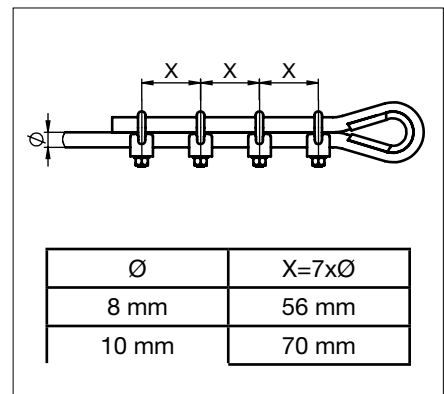
Weight: 0.2 kg/each

Part no. 24849

For 10 mm cable

Weight: 0.4 kg/each

Part no. 24850



Subject to technical change. Please follow our maintenance and fitting instructions.

Söll Vi-Go® End pieces/cable tensioners

Cable end piece for screw fitting

- With eyebolt
- To connect the guide cable with the cable tensioner
- Easy installation using open-ended spanners
- Tamper-evident paint (part no. 17298) required for check

Material: Stainless steel

For 8 mm cable

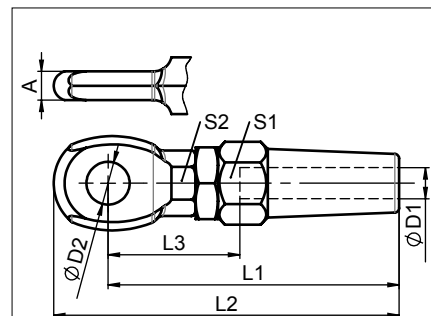
Weight: 0.4 kg/each

Part no. 24851

For 10 mm cable

Weight: 0.5 kg/each

Part no. 24852



D1	D2	L1	L2	L3	S1	S2	A
mm							
8	14,3	103	121	52,5	24	19	10
10	16,3	116	135	65,0	27	24	13

Cable end piece for swaging

- To connect the guide cable with the cable tensioner
- Cable swaging for increased safety and cable stability
- Control ring (part no. 3168/ 3169) or Tamper-evident paint (part no. 17298) required for check

Material: Stainless steel

For 8 mm cable

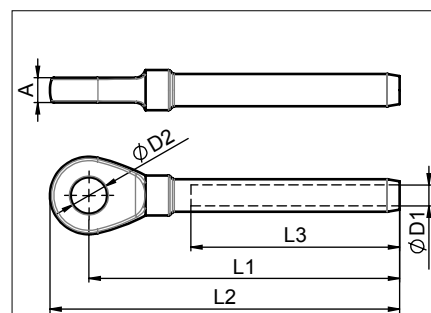
Weight: 0.2 kg/each

Part no. 25124

For 10 mm cable

Weight: 0.3 kg/each

Part no. 25125



D1	D2	L1	L2	L3	A
mm					
8	14,5	123,5	139	83	10
10	16,2	137	155	89	10,8

Cable tensioner

- Cable pretensioning force 1,500 N
- Pretensioning indicator with marked min. and max. pretensioning force
- Used for compensation when support structure moves or temperatures fluctuate

Material: Steel,
hot-dip galvanised

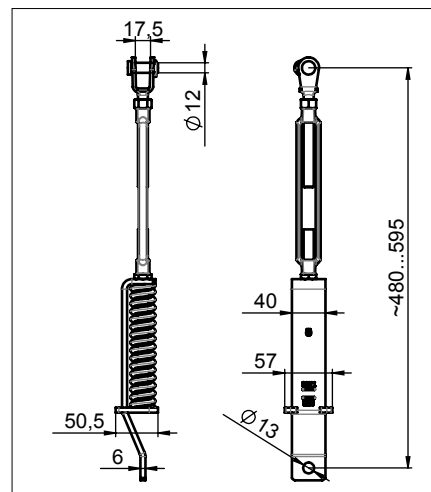
Weight: 1.5 kg/each

Part no. 26554

Material: Stainless steel,
pickled

Weight: 1.5 kg/each

Part no. 25401



Subject to technical change. Please follow our maintenance and fitting instructions.

Söll Vi-Go® Mounting elements

Rung bracket

- Mounted directly to the ladder rungs
- For fixing the cable tensioner or cable end piece
- Can be used for different rung diameters
- Rung distances 30 - 330 mm possible

with round steel bracket for rungs
ø 27-38 mm

Weight: 2.1 kg/each

Material: Galvanised steel

Part no. 24807

Material: Stainless steel,
pickled

Part no. 25806

with clamp for rungs

ø 18-26 mm (not shown)

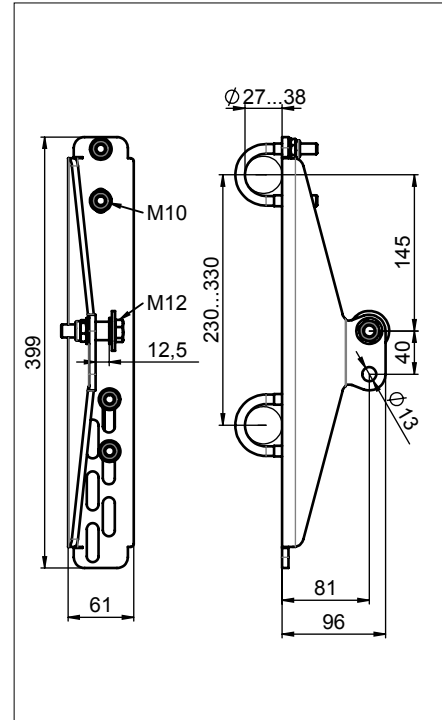
Weight 2.3 kg/each

Material: Galvanised steel

Part no. 25001

Material: Stainless steel,
pickled

Part no. 25002



Lower rung bracket

- Mounted directly to the ladder rungs
- For fixing the cable tensioner or cable end piece
- Can be used for different rung diameters
- Rung distances 30 - 330 mm possible

with round steel bracket for rungs
ø 27-38 mm

Weight: 2.0 kg/each

Material: Galvanised steel

Part no. 25229

Material: Stainless steel,
pickled

Part no. 25219

with clamp for rungs

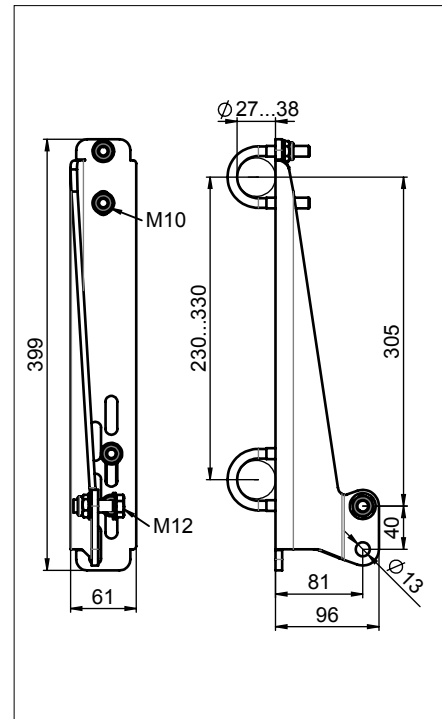
ø 18-26 mm (not shown)

Weight 2.3 kg/each

Material: Galvanised steel

Part no. 26124

Stainless steel available upon request



Subject to technical change. Please follow our maintenance and fitting instructions.

Söll Vi-Go® Mounting elements

Universal clamp

- Can be mounted to different profiles
- For fixing the cable tensioner or cable end piece

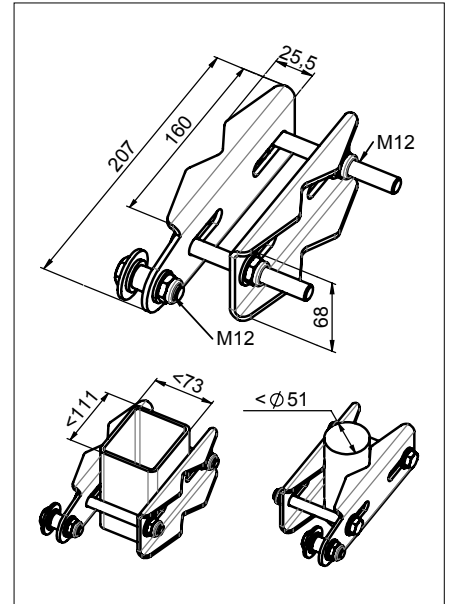
Weight: 1.2 kg/each

Material: Galvanised steel

Part no. 24815

Material: Stainless steel,
pickled

Part no. 24814



Platform support

- System extension above the end of the ladder run
- Approved for max. four users
- With anchor eye as per EN 795 for one person
- Max. permissible load kN
- Must be fixed to three ladder rungs

Material: Steel,
hot-dip galvanised

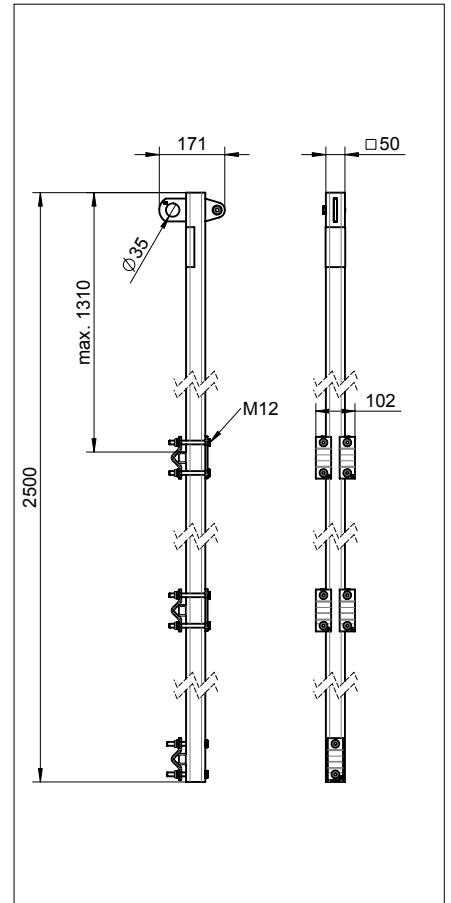
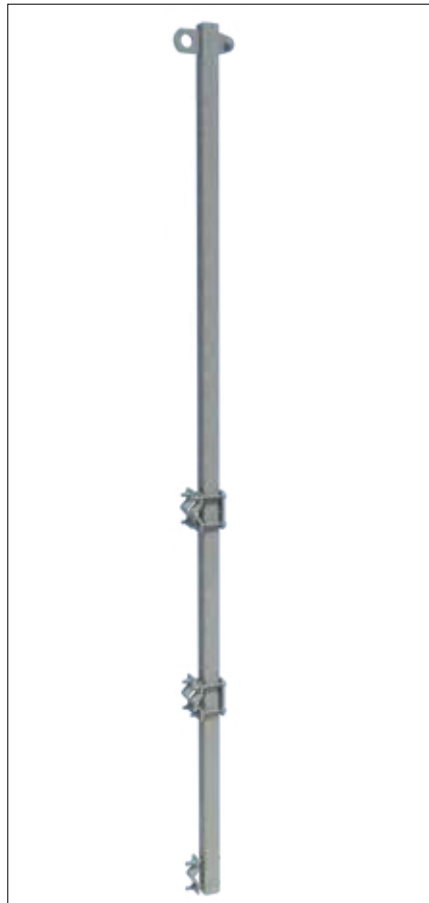
Weight: 19.6 kg/each

Part no. 25051

Material: Stainless steel,
pickled

Weight: 17.0 kg/each

Part no. 25846



Subject to technical change. Please follow our maintenance and fitting instructions.

Söll Vi-Go® Intermediate bracket

Automatic intermediate bracket

- Holds the cable in position and prevents excessive cable movement
- Mounting on ladder rungs
- Cable must be threaded through bracket during installation
- Glider runs across the bracket without manual intervention

Material: Stainless steel, pickled

For 8 mm cable

with round steel bracket for rungs
ø 27-38 mm

Weight: 0.2 kg/each

Part no. **24840**

with clamp for rungs
ø 18-26 mm (figure below)

Weight 0.4 kg/each

Part no. **25000**

For 10 mm cable

with round steel bracket for rungs
ø 27-38 mm

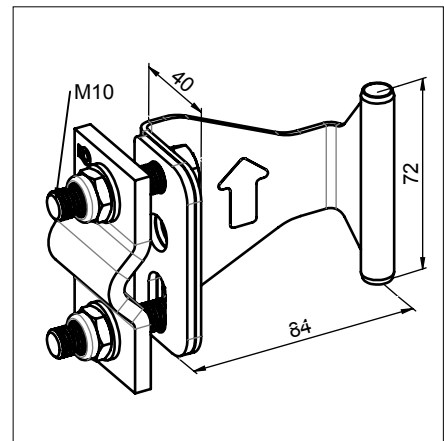
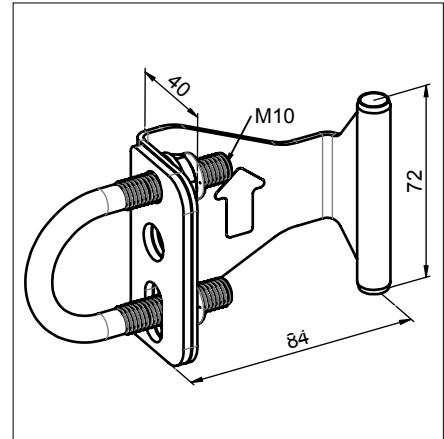
Weight: 0.2 kg/each

Part no. **25202**

with clamp for rungs
ø 18-26 mm (figure below)

Weight 0.4 kg/each

Part no. **26243**



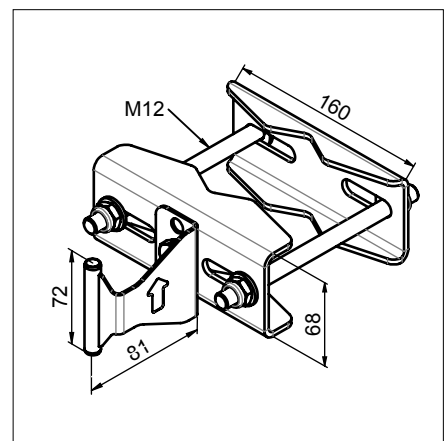
Automatic intermediate bracket

- For 8 mm guide cable
- For mounting on profiles with diameter 24 - 85 mm
- Holds the cable in position and prevents excessive cable movement

Material: Stainless steel, pickled

Weight: 1.5 kg/each

Part no. **25860**



Subject to technical change. Please follow our maintenance and fitting instructions.

Söll Vi-Go® Intermediate bracket

Automatic intermediate bracket

- Plastic cable guide
- For 8 mm guide cable
- Holds the cable in position and prevents excessive cable movement
- Mounting on ladder rungs
- Version with slit can be retrofitted onto cable

Material: Stainless steel/
 plastic

Closed version

with round steel bracket for rungs
ø 27-38 mm

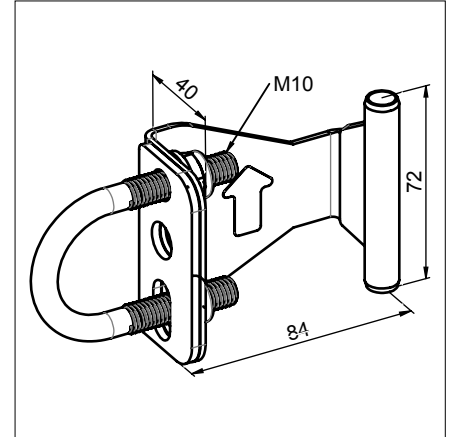
Weight: 0.1 kg/each

Part no. **25807**

with clamp for rungs
ø 18-26 mm (not shown)

Weight: 0.4 kg/each

Part no. **25850**



Söll Vi-Go® Intermediate bracket

Manual intermediate bracket

- Holds the cable in position and prevents excessive cable movement
- Mounting on ladder rungs
- Retrofitting possible

Material: Stainless steel/
plastic

For 8 mm cable

with round steel bracket for rungs
Ø 27-38 mm

Weight: 0.3 kg/each

Part no. **24838**

with clamp for rungs
Ø 18-26 mm (figure below)

Weight 0.5 kg/each

Part no. **25388**

For 10 mm cable

with round steel bracket for rungs
Ø 27-38 mm

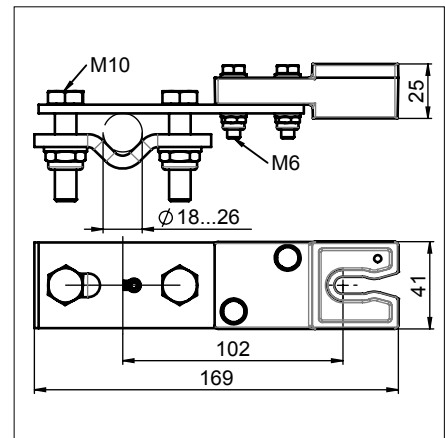
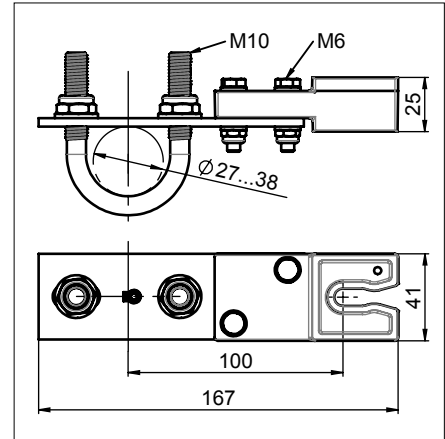
Weight: 0.3 kg/each

Part no. **24839**

with clamp for rungs
Ø 18-26 mm (figure below)

Weight 0.5 kg/each

Part no. **25988**



Subject to technical change. Please follow our maintenance and fitting instructions.

Söll Vi-Go® Accessories

Control ring

- Used as an indicator for swaged cable end pieces
- Swaged directly next to the cable end piece
- 5 rings in pack

Material: Stainless steel, pickled

For 8 mm cable

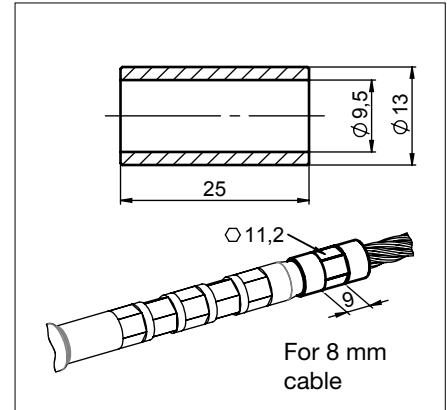
Weight: 0.3 kg/25 rings

Part no. **23168**

For 10 mm cable (not shown)

Weight: 0.4 kg/25 rings

Part no. **23169**

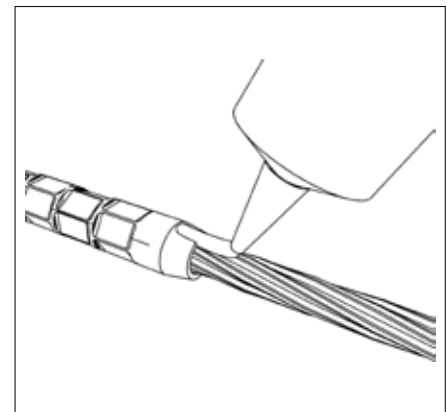


Tamper-evident paint, red

- Used as an indicator for cable end pieces
- Easy application after installation
- For swaged/screwed cable end pieces

Weight: 0.03 kg/each

Part no. **17298**



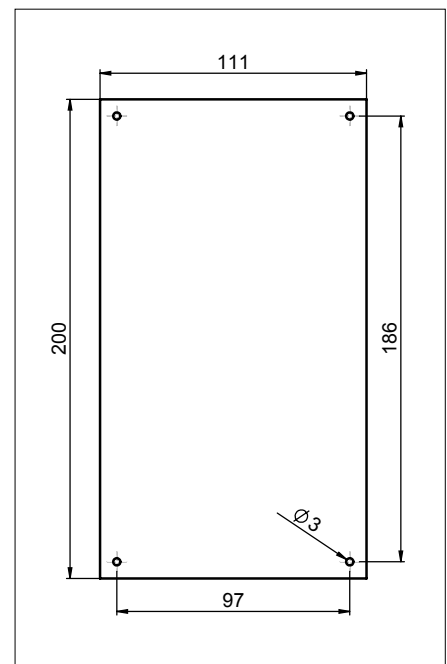
Identification plate

- For "Söll Vi-Go®" fall protection device
- Must be affixed to each access point
- Languages: D/E/F/ES

Material: Aluminium

Weight: 0.1 kg/each

Part no. **24854**



Subject to technical change. Please follow our maintenance and fitting instructions.

Söll Vi-Go® Fall arresters

Söll Vi-Go fall arrester

- Complies with EN 353-1: 00 ; CNB/P/11.073
- With energy-absorbing element
- For 8 mm and 10 mm
- Simple and quick use thanks to 'one-hand operation'
- Incorrect insertion is impossible
- Fall arrester manufactured from stainless steel and aluminium

With automatic safety karabiner

Weight: 1.2 kg/each

Part no. 24836

With swivel safety karabiner

Weight: 1.3 kg/each

Part no. 24837

